



RPI16 SERIES RECORD PLAYER

Ref. nr.: 102.070, 102.071, 102.073, 102.075, 102.077, 102.080



INSTRUCTION MANUAL
GEBRUIKSAANWIJZING
BEDIENUNGSANLEITUNG
MANUAL DE INSTRUCCIONES
MANUEL D'INSTRUCTIONS
INSTRUKCJA OBSŁUGI
NÁVOD K POUŽITÍ

V1.1

INDEX

ENGLISH	6
UNPACKING INSTRUCTION.....	7
POWERSUPPLY	7
CONTROLS AND CONNECTIONS	7
GETTING STARTED.....	7
RECORD PLAYER.....	8
BT STREAMING.....	8
AUX IN.....	8
CONNECTING TO A COMPUTER.....	8
USING AUDACITY	8
RECORDING TO COMPUTER USING AUDACITY.....	9
EXPORTING YOUR MUSIC FILES (.WAV).....	9
EXPORTING YOUR MUSIC FILES (.MP3).....	9
NOTES.....	9
NEDERLANDS	10
UITPAKKEN	11
AANSLUITSPANNING	11
OVERZICHT.....	11
AAN DE SLAG.....	11
PLATENSPELER.....	12
BT STREAMING.....	12
AUX IN.....	12
VERBINDEN MET DE COMPUTER.....	12
GEBRUIK AUDACITY.....	13
OPNAME NAAR COMPUTER MET AUDACITY.....	13
JE MUZIEKBESTANDEN EXPORTEREN (.WAV).....	13
JE MUZIEKBESTANDEN EXPORTEREN (.MP3).....	13
ADVIES.....	13
DEUTSCH	14
AUSPACKEN.....	15
NETZANSCHLUSS.....	15
ÜBERSICHT.....	15
ERSTE SCHRITTE	15
PLATTENSPIELER	16
AUX IN.....	16
MIT DEM COMPUTER VERBINDEN.....	16
AUDACITY VERWENDEN	16
AUFNAHME AUF DEN COMPUTER MIT AUDACITY.....	16
IHRE MUSIKDATEIEN EXPORTIEREN (.WAV).....	17
IHRE MUSIKDATEIEN EXPORTIEREN (.MP3).....	17
STELLUNGNAHME	17
ESPAÑOL	18
INSTRUCCIONES DE DESEMBALAJE	19
FUENTE DE ALIMENTACIÓN.....	19
CONTROLES Y CONEXIONES.....	19
CÓMO EMPEZAR.....	19
REPRODUCTOR DE DISCOS.....	20
ENTRADA AUX.....	20
CONEXIÓN A UN ORDENADOR.....	20
USO DE LA AUDACITY.....	20
GRABAR EN EL ORDENADOR CON AUDACITY.....	20
EXPORTAR ARCHIVOS DE MÚSICA (.WAV).....	21
EXPORTAR ARCHIVOS DE MÚSICA (.MP3).....	21
NOTAS.....	21
FRANÇAIS	22
DEBALLAGE.....	23
ALIMENTATION	23
COMMANDES ET CONNEXIONS.....	23
POUR COMMENCER.....	24
TOURNE-DISQUE	24
ENTRÉE AUX.....	24
CONNEXION À UN ORDINATEUR.....	24
UTILISER AUDACITY	24
ENREGISTREMENT SUR ORDINATEUR À L'AIDE D'AUDACITY	25
EXPORTER VOS FICHIERS MUSICAUX (.WAV).....	25
EXPORTER VOS FICHIERS MUSICAUX (.MP3).....	25
REMARQUE	25
POLSKI	26
INSTRUKCJA ROZPAKOWANIA	27

ZASILANIE	27
ELEMENTY STERUJĄCE I POŁĄCZENIA	27
ROZPOCZĘCIE	28
GRAMOFON	28
AUX IN.....	28
PODŁĄCZANIE DO KOMPUTERA	28
KORZYSTANIE Z AUDACITY	28
NAGRYWANIE NA KOMPUTER ZA POMOCĄ AUDACITY	29
EKSPORTOWANIE PLIKÓW MUZYCZNYCH (.WAV).....	29
EKSPORTOWANIE PLIKÓW MUZYCZNYCH (.MP3)	29
UWAGI	29
ČESKY	30
POKYNY PO VYBALENÍ	31
NAPÁJENÍ	31
OVLÁDACÍ PRVKY A PŘIPOJENÍ	31
ZAČÍNÁME	31
PŘEHRÁVAČ NAHRÁVEK.....	32
AUX IN.....	32
PŘIPOJENÍ K POČÍTAČI	32
POUŽITÍ AUDACITY	32
NAHRÁVÁNÍ DO POČÍTAČE POMOCÍ AUDACITY	32
EXPORTING YOUR MUSIC FILES (.WAV).....	33
EXPORTOVÁNÍ HUDEBNÍCH SOUBORŮ (.MP3)	33
POZNÁMKY	33
TECHNICAL SPECIFICATION / TECHNISCHE SPECIFICATIE / TECHNISCHE DATEN / SPECIFICACIONES TÉCNICAS / SPÉCIFICATIONS TECHNIQUES / SPECYFIKACJA TECHNICZNA / TECHNICKÁ SPECIFIKACE	34

ENGLISH

Congratulations to the purchase of this Audizio product. Please read this manual thoroughly prior to using the unit in order to benefit fully from all features.

Read the manual prior to using the unit. Follow the instructions in order not to invalidate the warranty. Take all precautions to avoid fire and/or electrical shock. Repairs must only be carried out by a qualified technician in order to avoid electrical shock. Keep the manual for future reference.

- Prior to using the unit, please ask advice from a specialist. When the unit is switched on for the first time, some smell may occur. This is normal and will disappear after a while.
- The unit contains voltage carrying parts. Therefore do NOT open the housing.
- Do not place metal objects or pour liquids into the unit. This may cause electrical shock and malfunction.
- Do not place the unit near heat sources such as radiators, etc. Do not place the unit on a vibrating surface. Do not cover the ventilation holes.
- The unit is not suitable for continuous use.
- Be careful with the mains lead and do not damage it. A faulty or damaged mains lead can cause electrical shock and malfunction.
- When unplugging the unit from a mains outlet, always pull the plug, never the lead.
- Do not plug or unplug the unit with wet hands.
- If the plug and/or the mains lead are damaged, they need to be replaced by a qualified technician.
- If the unit is damaged to such an extent that internal parts are visible, do NOT plug the unit into a mains outlet and DO NOT switch the unit on. Contact your dealer. Do NOT connect the unit to a rheostat or dimmer.
- To avoid fire and shock hazard, do not expose the unit to rain and moisture.
- All repairs should be carried out by a qualified technician only.
- Connect the unit to an earthed mains outlet (220-240Vac/50Hz) protected by a 10-16A fuse.
- During a thunderstorm or if the unit will not be used for a longer period of time, unplug it from the mains. The rule is: Unplug it from the mains when not in use.
- If the unit has not been used for a longer period of time, condensation may occur. Let the unit reach room temperature before you switch it on. Never use the unit in humid rooms or outdoors.
- To prevent accidents in companies, you must follow the applicable guide lines and follow the instructions.
- Do not repeatedly switch the fixture on and off. This shortens the life time.
- Keep the unit out of the reach of children. Do not leave the unit unattended.
- Do not use cleaning sprays to clean switches. The residues of these sprays cause deposits of dust and grease. In case of malfunction, always seek advice from a specialist.
- Do not force the controls.
- This unit is with speaker inside which can cause magnetic field. Keep this unit at least 60cm away from computer or TV.
- If this product have a built-in lead-acid rechargeable battery. Please recharge the battery every 3 months if you are not going to use the product for a long period of time. Otherwise, the battery may be permanently damaged.
- If the battery is damaged please replace with same specifications battery. And dispose the damaged battery environment friendly.
- If the unit has fallen, always have it checked by a qualified technician before you switch the unit on again.
- Do not use chemicals to clean the unit. They damage the varnish. Only clean the unit with a dry cloth.
- Keep away from electronic equipment that may cause interference.
- Only use original spares for repairs, otherwise serious damage and/or dangerous radiation may occur.
- Switch the unit off prior to unplugging it from the mains and/or other equipment. Unplug all leads and cables prior to moving the unit.
- Make sure that the mains lead cannot be damaged when people walk on it. Check the mains lead before every use for damages and faults!
- The mains voltage is 220-240Vac/50Hz. Check if power outlet match. If you travel, make sure that the mains voltage of the country is suitable for this unit.
- Keep the original packing material so that you can transport the unit in safe conditions.



This mark attracts the attention of the user to high voltages that are present inside the housing and that are of sufficient magnitude to cause a shock hazard.



This mark attracts the attention of the user to important instructions that are contained in the manual and that he should read and adhere to.

The unit has been certified CE. It is prohibited to make any changes to the unit. They would invalidate the CE certificate and their guarantee!

NOTE: To make sure that the unit will function normally, it must be used in rooms with a temperature between 5°C/41°F and 35°C/95°F.



Electric products must not be put into household waste. Please bring them to a recycling centre. Ask your local authorities or your dealer about the way to proceed. The specifications are typical. The actual values can slightly change from one unit to the other. Specifications can be changed without prior notice.


Do not attempt to make any repairs yourself. This would invalid your warranty. Do not make any changes to the unit. This would also invalid your warranty. The warranty is not applicable in case of accidents or damages caused by inappropriate use or disrespect of the warnings contained in this manual. Audizio cannot be held responsible for personal injuries caused by a disrespect of the safety recommendations and warnings. This is also applicable to all damages in whatever form.

UNPACKING INSTRUCTION

CAUTION! Carefully unpack the box upon receipt. Check the contents to ensure that all parts are present and have been received in good condition. Notify the shipper immediately and retain packaging material if any parts appear damaged from shipping or the package itself shows signs of mishandling. Save the package and all packaging materials. If the product must be returned, it is important that the product is returned in the original factory box and packaging. If the device has been exposed to drastic temperature fluctuation (e.g. after transportation), do not switch it on immediately. The arising condensation water might damage your device. Leave the device switched off until it has reached room temperature.

POWERSUPPLY

The label on the back/under side of the product indicates the mains voltage to which it must be connected. Check that the mains voltage corresponds to this. Any other voltage than the one indicated may cause irreparable damage to the unit. The unit must also be connected directly to the mains voltage and no dimmer or adjustable power supply may be used.

 Always connect the device to a protected circuit (circuit breaker or fuse). Make sure the device has an appropriate electrical ground to avoid the risk of electrocution or fire.

CONTROLS AND CONNECTIONS

1. Platter

Place your record here.

2. 45 RPM adapter

This adapter allows you to play 45 RPM records.

3. Tone arm

The tonearm can be raised and lowered by hand, or by using the tone arm lever.

4. Arm clip

This arm clip secures the tonearm while at rest or when not in use. The arm clip has been designed to remain in the up position whilst unlocked.

5. Cartridge with needle

When the turntable is not in use, it is recommendable to place the removable protection cover on the stylus.

6. Tone arm lever

Use to raise/lower the tone arm.

7. 33 / 45 / 78 RPM

Use to adjust the RPM setting of the turntable platter.

8. Autostop switch ON/OFF

This switch turns the auto stop-function on/off. When the automatic stop is enabled, the platform will start rotating as soon as the tone arm is placed over the record and will stop rotating when it has reached the end of the record. Some vinyl records stop before the end or do not stop when the end is reached. In this case set Auto-stop to OFF.

9. BT-In/Out

Press to switch between BT and BT out modes.

BT enables playing music from a streaming device.

BT out enables directing the sound from phono record playback to wireless BT headphones- or speakers.

10. Power & volume control

To power on the record player, rotate this knob clockwise until it clicks. When powered on, use this knob to adjust the volume for the internal speakers and headphones. To turn off the record player, rotate this knob counter clockwise until it clicks.

11. PC out (USB type B)

Use the included USB cable to connect your turntable to your computer. The USB connection will send audio from the turntable to your computer.

12. AUX IN

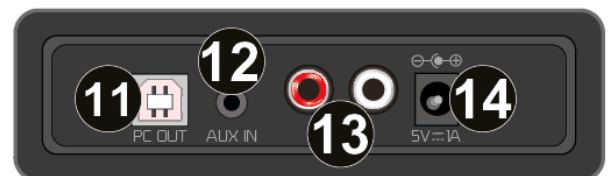
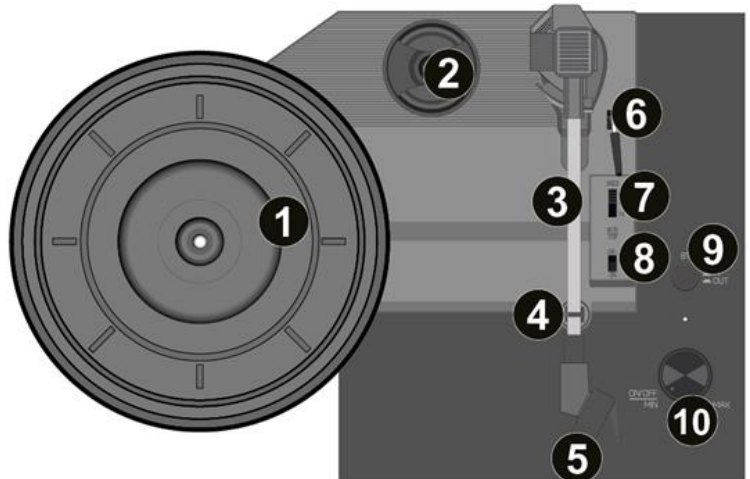
3.5mm auxiliary input jack.

13. Line output

RCA line output to connect external speakers (not included).

14. DC IN

5V power socket for connecting the supplied power adapter.



GETTING STARTED

- Remove the record player from the package box.
- Plug in the power supply and turn on the device.
- **Caution:** Use only the cable supplied with the unit. Connecting a power supply with a different rating can cause permanent damage to the unit and may be hazardous.

RECORD PLAYER

- Place the record on the turntable. If required, place the 45rpm adapter on the record spindle.
- Choose the desired playing speed using the speed selection switch (33-, 45- or 78rpm).
- Rotate the power & volume control knob clockwise to turn the device on, note that this is also the control of the volume.
- Make sure that any protective cover is removed from the stylus.
- Unlock the tone arm by releasing the tone arm clip.
- Raise the arm by using the tone arm lever.
- Place the stylus vertically over the first track of the record, the turntable will start turning automatically.
- Lower the stylus slowly onto the record by using the tone arm lever.
- When a record comes to the end, the turntable will stop automatically if the auto-stop switch is in the ON position. If the switch is in the off position then it will keep turning until the switch is set in the ON position.
 - * Some vinyl records stop before the end or do not stop when the end is reached. In this case set Auto-stop to OFF.
- Lift up the tone arm and put it on the rest when finished, always using the tone arm lever.
- Lock the tone arm by closing the tone arm clip.
- Re-attach the stylus cover.
- Turn off the power.

BT STREAMING

Before transmission between your BT device and the turntable is possible, both devices must be coupled. This process is called "pairing". The turntable is served as a receiver, to receive the music stream to be played on the turntable.

If you have already coupled to a BT device before, this connection will be restored automatically when both devices are in range and BT operation has been selected on the Record player. "Pairing" does not have to be repeated. This function may need to be activated in your BT device, however.

- Set the mode knob to BT mode.
- Turn on the BT streaming function on your device. The device will scan for pairable BT devices in the reception range.
- Select "Audizio RP116" from the list with found devices.
- You can now play your music from your device, using the turntable player as speaker.

This device also features a BT transmitter, meaning that it is possible to play sound from the turntable via BT to, for example, a BT speaker or wireless headphones. Rotate the mode knob to BT OUT mode to enable the BT transmitting function.

Note: When the turntable is being used as a BT speaker, all other playback functions cannot be used at the same time.

AUX IN

You can listen to the music stored on another audio device or smartphone through the record player, by connecting it to the 3.5mm aux-in jack on the back. Use a cable with 3.5 mm pins on both ends, one end connected to the aux-in jack of the Record player, the other end connected to the earphone jack of the audio device (or line output if available). Play music on the connected device, the sound will be emitted by the turntable.

CONNECTING TO A COMPUTER

Before connecting the turntable to a computer, disconnect it from your mixer or hi-fi system.

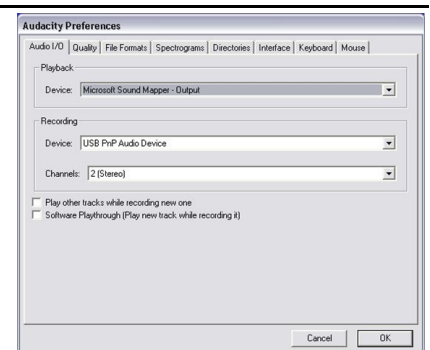
The included software is a third-party application and therefore Audizio does not handle any questions or problems related to the software.

1. Turn on the computer.
2. Once the computer has booted up, connect the turntable. The computer will now install the drivers.
3. After the drivers are installed, you now need to install the Audacity software. Please scan the QR code below to land on the download page.



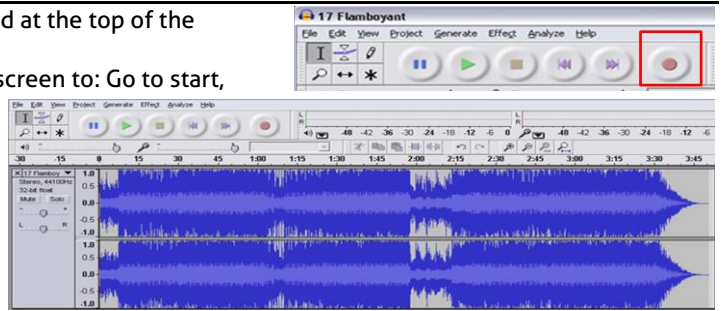
USING AUDACITY

- Plug the USB cable into the back of the device and the other end into a free USB port on your computer.
- Launch the Audacity software by double-clicking the Audacity icon.
- Before recording, click edit at the top of the main page; select preferences at the bottom of the menu that opens.
- In the recording section of the window, open the Device menu with the down arrow on the right. Select the USP PnP Audio Device option from the menu. Also check the box next to 'Software Playthrough (Play new track while it is being recorded)'.
- In the lower box you can set the number of recording channels, 1 is Mono and 2 is Stereo, select the option Stereo.
- Click 'OK' once the options have been selected.



RECORDING TO COMPUTER USING AUDACITY

- Start the record playing as described above, and press record at the top of the Audacity window to start recording to the computer.
- Once recorded, use the Transport controls at the top of the screen to: Go to start, Play, Record, Pause, Stop and Go to the end.
- Use the File, Edit, View, Project, Generate, to save, export and edit your music.
- If the recording level requires to be adjusted, click on 'START', 'SETTINGS' and select 'Control Panel.' Under Control Panel, select 'SOUNDS and AUDIO DEVICES', click on the 'VOLUME' tab and select 'ADVANCED'.
- On the Master volume window, select options at the top left hand corner, click on properties in the drop-down menu.
- In the Properties window, select "USB PnP Audio Device" from the drop-down menu at the top. Click "OK" to confirm the Selection and a window will now appear with a control for the recording level. Move this control up if the recording is too quiet and down if the recording is too loud.



NOTE: the blue wave form should sit in the Audacity window such that the peaks of it stop short of the top and bottom. Before editing your music, the recorded waveform will need to be highlighted.

- To highlight your wave form, click with the left mouse button on the left hand side of the waveform (under the L+R controls) and the waveform will go darker.
- At this point the whole waveform can be edited. The section required can be highlighted by placing the mouse over the beginning of the section holding the left button down and dragging it right over the area required and releasing it when the end of the desired section is reached. This darkened section will now be the only audio that will be edited.
- Alternatively click on the EDIT menu at the top left and click on SELECT, then choose from: All (whole wave form), Start to Cursor or Cursor to end.

NOTE: after recording to the Computer, the USB cable may have to be removed from the USB port in order to enable playback later from the computer.

EXPORTING YOUR MUSIC FILES (.WAV)

- Once you have recorded and edited your music, you will need to save your files to the computer. To do this, click on file and move down to Export as WAV tab.
- Click on this and you will promptly be asked for the file name of the music recorded which will be saved in the location shown. At this point either make a note of the folder where your music is saved or save it in a folder of your choice.
- This can either be an existing one or a new folder.

EXPORTING YOUR MUSIC FILES (.MP3)

- Once you have recorded and edited your music, you will need to save your files to the computer. To do this click on file and move down to Export as Mp3 tab.
- Click on this and you will promptly be asked for the file name of the music recorded which will be saved in the location shown. At this point either make a note of the folder where your music is saved or save it in a folder of your choice.
- This can be either an existing one or a new folder.

NOTES

We advise you to clean your records with an anti-static cloth to gain maximum enjoyment from them and to make them last. We would also point out that for the same reason your stylus should be replaced periodically (approximately every 250 hours).

NEDERLANDS

Hartelijk dank voor de aanschaf van dit Audizio product. Neemt u a.u.b. een paar momenten de tijd om deze handleiding zorgvuldig te lezen, aangezien wij graag willen dat u onze producten snel en volledig gebruikt.

Lees deze handleiding eerst door alvorens het product te gebruiken. Volg de instructies op anders zou de garantie wel eens kunnen vervallen. Neem ook altijd alle veiligheidsmaatregelen om brand en/of een elektrische schok te voorkomen. Tevens is het ook raadzaam om reparaties / modificaties e.d. over te laten aan gekwalificeerd personeel om een elektrische schok te voorkomen. Bewaar deze handleiding ook voor toekomstig gebruik.

- Bewaar de verpakking zodat u indien het apparaat defect is, dit in de originele verpakking kunt opsturen om beschadigingen te voorkomen.
- Voordat het apparaat in werking wordt gesteld, altijd eerst een deskundige raadplegen. Bij het voor de eerste keer inschakelen kan een bepaalde reuk optreden. Dit is normaal en verdwijnt na een poos.
- In het apparaat bevinden zich onder spanning staande onderdelen; open daarom NOOIT dit apparaat.
- Plaats geen metalen objecten en mors geen vloeistof in het effect. Dit kan leiden tot elektrische schokken of defecten.
- Toestel niet opstellen in de buurt van warmtebronnen zoals radiatoren etc. en niet op een vibrerende onder- grond plaatsen. Dek ventilatieopeningen nooit af.
- Het apparaat is niet geschikt voor continu gebruik.
- Wees voorzichtig met het netsnoer en beschadig deze niet. Als het snoer kapot of beschadigd is, kan dit leiden tot elektrische schokken of defecten.
- Als u de stekker uit het stopcontact neemt, trek dan niet aan het snoer, maar aan de stekker.
- Om brand of elektrische schok te voorkomen, dient u dit apparaat niet bloot te stellen aan regen of vocht.
- Verwijder of plaats een stekker nooit met natte handen resp. uit en in het stopcontact.
- Indien zowel de stekker en/of netsnoer als snoeringang in het apparaat beschadigd zijn dient dit door een vakman hersteld te worden.
- Indien het apparaat zo beschadigd is dat inwendige (onder)delen zichtbaar zijn mag de stekker NOOIT in het stopcontact worden geplaatst en het apparaat NOOIT worden ingeschakeld. Neem in dit geval contact op met de dealer.
- Sluit het apparaat nooit op een dimmer aan.
- Reparatie aan het apparaat dient te geschieden door een vakman of een deskundige.
- Sluit het apparaat alleen aan op een 220-240VAC / 50Hz (geaard) stopcontact, verbonden met een 10-16A meterkastgroep.
- Bij onweer altijd de stekker uit het stopcontact halen, zo ook wanneer het apparaat voor een langere tijd niet gebruikt wordt. Stelregel: Bij geen gebruik stekker verwijderen.
- Als u het apparaat lang niet gebruikt heeft en het weer wil gebruiken kan er condens ontstaan; laat het apparaat eerst op kamertemperatuur komen alvorens het weer in werking te stellen.
- Apparaat nooit in vochtige ruimten en buiten gebruiken.
- Om ongevallen in bedrijven te voorkomen moet rekening worden gehouden met de daarvoor geldende richtlijnen en moeten de aanwijzingen/waarschuwingen worden gevolgd.
- Het apparaat buiten bereik van kinderen houden. Bovendien mag het apparaat nooit onbeheerd gelaten worden.
- Gebruik geen schoonmaakspray om de schakelaars te reinigen. Restanten van deze spray zorgen ervoor dat smeer en stof ophopen. Raadpleeg bij storing te allen tijde een deskundige.
- Gebruik geen overmatige kracht bij het bedienen van het apparaat.
- Dit apparaat kan magnetisch veld veroorzaken. Houd dit apparaat ten minste 60 cm afstand van de computer of tv.
- Indien dit apparaat beschikt over een loodaccu, dient deze tenminste elke 3 maanden opgeladen te worden indien deze voor een langere periode niet wordt gebruikt anders bestaat de kans dat de accu permanent beschadigd.
- Bij een ongeval met dit product altijd eerst een deskundige raadplegen alvorens opnieuw te gebruiken.
- Tracht het apparaat niet schoon te maken met chemische oplossingen. Dit kan de lak beschadigen. Gebruik een droge doek om schoon te maken.
- Blijf uit de buurt van elektronische apparatuur die bromstoringen zouden kunnen veroorzaken.
- Bij reparatie dienen altijd originele onderdelen te worden gebruikt om onherstelbare beschadigingen en/of ontoelaatbare straling te voorkomen.
- Schakel eerst het toestel uit voordat u het netsnoer verwijderd. Verwijder netsnoer en aansluitsnoeren voordat u dit product gaat verplaatsen.
- Zorg ervoor dat het netsnoer niet beschadigd/defect kan raken wanneer mensen erover heen lopen. Het netsnoer vóór ieder gebruik controleren op breuken/defecten!
- In Nederland/België is de netspanning 220-240Vac/50Hz. Indien u reist (en u neemt het apparaat mee) informeer dan naar de netspanning in het land waar u verblijft.



Deze markering wordt weergegeven om u erop attent te maken dat een levensgevaarlijke spanning in het product aanwezig is en dat bij aanraking van deze delen een elektrische schok wordt verkregen.



Deze instructiemarkering wordt weergegeven om u erop te wijzen dat de instructie zeer belangrijk is om te lezen en/of op te volgen.

OPMERKING: Om zeker te zijn van een correcte werking, dient u dit apparaat in een ruimte te gebruiken waar de temperatuur tussen de 5°C/41°F en 35°C/95°F ligt.



Raadpleeg eventueel www.wecycle.nl en/of www.vrom.nl v.w.b. het afdanken van elektronische apparaten in het kader van de WEEE-regeling. Vele artikelen kunnen worden gerecycled, gooi ze daarom niet bij het huisvuil maar lever ze in bij een gemeentelijk depot of uw dealer. Lever ook afgedankte batterijen in bij uw gemeentelijk depot of bij de dealer, zie www.stibat.nl

Alle (defecte) artikelen dienen gedurende de garantieperiode altijd retour te worden gezonden in de originele verpakking. Voer zelf geen reparaties uit aan het toestel; in elk geval vervalt de totale garantie. Ook mag het toestel niet eigenmachtig worden gemodificeerd, ook in dit geval vervalt de totale garantie. Ook vervalt de garantie bij ongevallen en beschadigingen in elke vorm t.g.v. onoordeelkundig gebruik en het niet in acht nemen van het gestelde in deze gebruiksaanwijzing. Tevens aanvaardt Audizio geen enkele aansprakelijkheid in geval van persoonlijke ongelukken als gevolg van het niet naleven van veiligheidsinstructies en waarschuwingen. Dit geldt ook voor gevolgschade in welke vorm dan ook.

UITPAKKEN

LET OP! Pak na ontvangst de doos zorgvuldig uit. Controleer of alle onderdelen aanwezig- en in goede staat ontvangen zijn. Bij transportschade of bij het ontbreken van onderdelen onmiddellijk de verkopende partij inlichten. Bewaar de verpakking en het verpakkingsmateriaal. Indien het product moet worden teruggestuurd, is het belangrijk dat het product in originele verpakking wordt geretourneerd. Schakel het apparaat niet onmiddellijk in als het apparaat is blootgesteld aan drastische temperatuurverschillen (bv. na het transport). De ontstane condensatie kan het apparaat beschadigen. Zorg ervoor dat het apparaat eerst op kamertemperatuur komt alvorens het aan te sluiten.

AANSLUITSPANNING

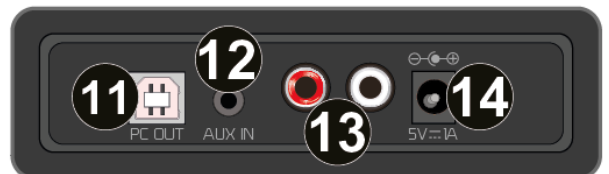
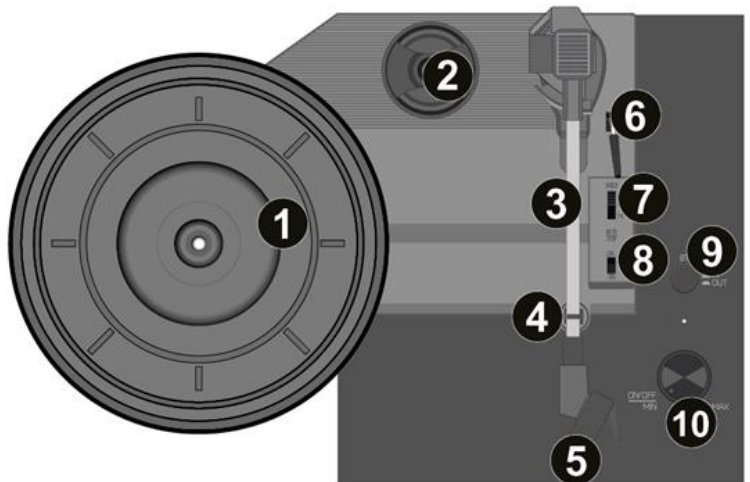
Op het label aan de achterzijde van het product staat aangegeven op welke netspanning deze moet worden aangesloten. Controleer of de netspanning hiermee overeenkomt, bij alle andere netspanningen dan aangegeven kan het apparaat onherstelbaar worden beschadigd. Tevens moet het apparaat direct op de netspanning worden aangesloten en mag géén dimmer of regelbare voeding worden gebruikt.



Sluit het apparaat altijd aan op een beschermd circuit (aardlekschakelaar of zekering). Zorg ervoor dat het apparaat voldoende elektrisch is geaard om het risico op elektrocutie of brand te vermijden.

OVERZICHT

- 1. Plateau**
Plaats hier u uw langspeelplaat.
- 2. 45RPM adapter**
Met behulp van deze adapter kunt u 45RPM platen draaien.
- 3. Toonarm**
De toonarm kan handmatig worden opgetild of neergelaten.
- 4. Toonarmklem**
Deze armklem borgt de toonarm wanneer deze niet wordt gebruikt.
- 5. Cartridge met naald**
Als de platenspeler niet wordt gebruikt, is het raadzaam om de verwijderbare beschermkap over de stylus/naald te plaatsen.
- 6. Toonarm hendel**
Gebruik om de toonarm te verhogen/verlagen.
- 7. 33/45/78 RPM schakelaar**
Met deze schakelaar regelt u het toerental van de platenspeler.
- 8. Autostop-schakelaar AAN/UIT**
Deze schakelaar zet de automatische stop-functie aan/uit. Wanneer de automatische stop is ingeschakeld, begint het plateau te draaien zodra de toonarm over de plaat wordt geplaatst en stopt het met draaien wanneer deze het einde van de plaat heeft bereikt. Sommige vinylplaten stoppen voor het einde of stoppen niet wanneer het einde is bereikt. Stel in dat geval Auto-stop in op OFF.
- 9. BT-Out**
Indrukken om te schakelen tussen BT en BT out modi.
Met BT kunt u muziek afspelen van een streamingapparaat.
Met BT out kunt u het geluid van een phono-opname afspelen naar een draadloze BT-hoofdtelefoon of -luidsprekers.
- 10. Power & volumeregelaar**
Draai deze knop met de klok mee totdat deze klikt, om de platenspeler in te schakelen. Wanneer ingeschakeld, gebruikt u deze knop om het volume aan te passen. Om de platenspeler uit te zetten, draait u deze knop tegen de klok in totdat hij vastklikt.
- 11. PC out (USB type B)**
Gebruik de meegeleverde USB-kabel om uw platenspeler aan te sluiten op uw computer. De USB-verbinding zal audiosignaal sturen van de platenspeler naar uw computer.
- 12. Aux-ingang**
3,5 mm aux-ingang.
- 13. Lijn uitgang**
RCA-connector uitgang om bijvoorbeeld externe luidsprekers aan te sluiten (niet inbegrepen).
- 14. DC 5V IN**
5V voedingsaansluiting voor het aansluiten van de voedingsadapter.



AAN DE SLAG

- Haal de platenspeler uit de verpakkingsdoos.
- Sluit de stroomkabel aan en zet het apparaat aan.

Let op: Gebruik alleen de bij de platenspeler geleverde kabel. Het aansluiten van een voeding met een andere rating kan permanente schade aan de platenspeler veroorzaken en kan gevaarlijk zijn.

PLATENSPELER

- Plaats de plaat op de draaitafel. Plaats indien nodig de 45-toeren adapter op de platenspeler.
- Kies de gewenste afspeelsnelheid met de snelheidskeuzeschakelaar (33-, 45- of 78-toeren).
- Draai de power & volumeregelaar met de klok mee om het toestel aan te zetten.
- Zorg ervoor dat de beschermkap van de stylus is verwijderd.
- Ontgrendel de toonarm door de toonarmklem los te maken.
- Breng de arm omhoog met behulp van de toonarmhendel.
- Plaats de naald boven de plaat, de draaitafel begint automatisch te draaien.
- Laat de naald langzaam op de plaat zakken met behulp van de toonarmhendel.
- Als een plaat het einde bereikt, stopt de draaitafel automatisch als de auto-stopschakelaar op ON staat. Als de schakelaar in de OFF-stand staat, blijft hij draaien totdat de schakelaar in de ON-stand wordt gezet.
 - * Sommige vinylplaten stoppen voor het einde of stoppen niet wanneer het einde is bereikt. Stel in dat geval Auto-stop in op OFF.
- Til de toonarm op en zet hem op de steun wanneer u klaar bent met behulp van de toonarmhendel.
- Vergrendel de toonarm door de toonarmklem te sluiten.
- Plaats de beschermkap van de naald terug.
- Schakel het apparaat uit.

BT STREAMING

Voordat transmissie tussen uw BT-apparaat en de platenspeler mogelijk is, moeten beide apparaten gekoppeld worden. Dit proces wordt "pairing" genoemd. De platenspeler dient als ontvanger, om de muziekstroom te ontvangen die op de platenspeler moet worden afgespeeld. Als u al eerder met een BT-apparaat hebt gekoppeld, wordt deze verbinding automatisch hersteld wanneer beide apparaten binnen bereik zijn en de BT-bediening op de platenspeler is geselecteerd. "Koppelen" hoeft niet te worden herhaald. Deze functie moet mogelijk wel geactiveerd worden op uw BT-apparaat.

- Zet de modusschakelaar op BT-modus.
- Zet de BT-streamingfunctie op uw apparaat aan. Het apparaat zoekt naar koppelbare BT-apparaten in het ontvangstbereik.
- Selecteer "Audizio RP116" uit de lijst met gevonden apparaten.
- U kunt nu uw muziek afspelen vanaf uw apparaat, met de platenspeler als luidspreker.

Dit apparaat heeft ook een BT-zender, wat betekent dat het mogelijk is om geluid van de platenspeler via BT af te spelen naar bijvoorbeeld een BT-luidspreker of draadloze hoofdtelefoon. Draai de modusknop naar de BT OUT-modus om de BT-zenderfunctie in te schakelen.

Opmerking: Wanneer de platenspeler als BT-luidspreker wordt gebruikt, kunnen alle andere afspeelfuncties niet tegelijkertijd worden gebruikt.

AUX IN

U kunt via de platenspeler naar de muziek luisteren die op een ander audioapparaat of smartphone is opgeslagen, via de 3,5 mm aux-in aansluiting aan de achterkant. Gebruik een kabel met 3,5 mm aansluitpennen aan beide uiteinden, het ene uiteinde aangesloten op de aux-in aansluiting van de platenspeler, het andere uiteinde aangesloten op de koptelefoonaansluiting van het audioapparaat (of lijnuitgang indien beschikbaar). Speel muziek af op het aangesloten apparaat, het geluid zal worden weergegeven door de platenspeler.

VERBINDEN MET DE COMPUTER

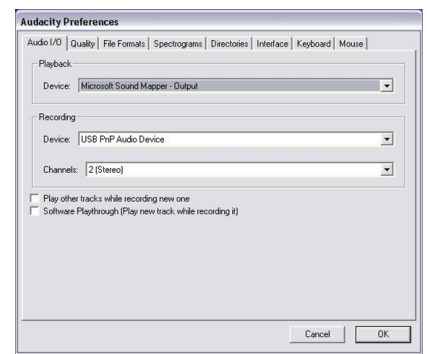
Ontkoppel de platenspeler van je mengpaneel of hifisysteem voordat je deze aansluit op een computer. De bijgeleverde software is een toepassing van een derde partij en daarom behandelt Audizio geen vragen of problemen met betrekking tot de software.

1. Zet de computer aan.
2. Zodra de computer is opgestart, sluit je de platenspeler aan. De computer zal nu de drivers installeren.
3. Nadat de stuurprogramma's zijn geïnstalleerd, moet je nu de Audacity software installeren. Scan de QR-code hieronder om op de downloadpagina te komen.



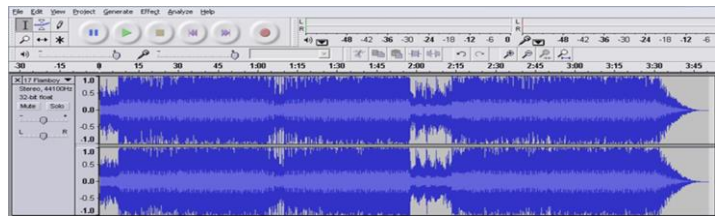
GEBRUIK AUDACITY

- Steek de USB-kabel in de achterkant van het apparaat en het andere uiteinde in een vrije USB-poort op je computer.
- Start de Audacity-software door te dubbelklikken op het Audacity-pictogram.
- Klik voor de opname op bewerken bovenaan de hoofdpagina; selecteer voorkeuren. onderaan het menu.
- Open in het opnamegedeelte van het venster het menu apparaat met de pijl omlaag aan de rechterkant.
- Selecteer de optie USP PnP Audio Device in het menu. Vink ook het vakje naast 'Software Playthrough (Nieuwe track afspelen terwijl deze wordt opgenomen)' aan.
- In het onderste vakje kan het aantal opnamekanalen worden ingesteld, 1 is Mono en 2 is Stereo, selecteer de optie Stereo en klik op 'OK'.



OPNAME NAAR COMPUTER MET AUDACITY

- Start de opname zoals hierboven beschreven en druk op Record bovenaan het Audacity-venster om de opname op de computer te starten.
 - Eenmaal opgenomen gebruik je de regelaars bovenaan het scherm: Ga naar start, Afspelen, Opnemen, Pauzeren, Stoppen en Ga naar het einde van de golfvorm.
 - Gebruik het menu, Edit, View, Project, Generate, om je muziek op te slaan, te exporteren en te bewerken.
 - Als het opnameniveau moet worden aangepast, klik dan op 'START', 'SETTINGS' en selecteer 'Configuratiescherm. Selecteer onder Configuratiescherm 'SOUNDS en AUDIO DEVICES', klik op het tabblad 'VOLUME' en selecteer 'ADVANCED'.
 - Selecteer in het venster hoofdvolume opties in de linkerbovenhoek en klik op eigenschappen in het vervolgkeuzemenu.
 - Selecteer in het venster Eigenschappen "USB PnP Audio Device" in het vervolgkeuzemenu bovenaan. Klik op "OK" om de selectie te bevestigen.
 - Er verschijnt nu een venster met een regelaar voor het opnameniveau. Verplaats deze regelaar omhoog als de opname te zacht is en omlaag als de opname te hard is. **OPMERKING:** de blauwe golfvorm moet zo in het Audacity-venster staan dat de pieken kort bij de boven- en onderkant stoppen.
 - Voordat je je muziek bewerkt, moet je de opgenomen golfvorm markeren.
 - Om uw golfvorm te markeren, klikt u met de linkermuisknop op de linkerkant van de golfvorm (onder de L+R regelaars) en de golfvorm wordt donkerder.
 - Op dit punt kan de hele golfvorm bewerkt worden. Als echter slechts een deel van de golfvorm moet worden bewerkt (of opgeslagen) kan de gewenste sectie gemarkeerd worden door de muis boven het begin van de sectie te plaatsen, de linker knop ingedrukt te houden en naar rechts te slepen over het gewenste gedeelte en los te laten wanneer het einde van de gewenste sectie is bereikt. Deze donkere sectie is nu de enige audio die wordt bewerkt.
 - Of klik op het EDIT menu linksboven en klik dan op SELECT en kies uit: All (hele golfvorm). Start tot Cursor of Cursor tot einde.
- OPMERKING:** na het opnemen op de computer kan het nodig zijn om de USB-kabel uit de USB-poort te verwijderen om later afspelen vanaf de computer mogelijk te maken.



JE MUZIEKBESTANDEN EXPORTEREN (.WAV)

- Nadat je je muziek hebt opgenomen en bewerkt, kun je je bestanden opslaan op de computer. Om dit te doen, klik je op bestand en ga je naar de tab Exporteren als WAV.
- Klik hierop en er wordt gevraagd om een bestandsnaam op te geven van de opgenomen muziek. Deze zal worden opgeslagen op de getoonde locatie. Noteer nu de map waar je muziek is opgeslagen of sla deze op in een map naar keuze.
- Dit kan een bestaande map zijn of een nieuwe map.

JE MUZIEKBESTANDEN EXPORTEREN (.MP3)

- Nadat je je muziek hebt opgenomen en bewerkt, moet je je bestanden opslaan op de computer. Om dit te doen klik je op bestand en ga je naar het tabblad exporteren als mp3.
- Klik hierop en er wordt gevraagd om een bestandsnaam op te geven van de opgenomen muziek. Deze zal worden opgeslagen op de getoonde locatie. Noteer nu de map waarin je muziek is opgeslagen of sla deze op in een map naar keuze.
- Dit kan een bestaande map zijn of een nieuwe map.

ADVIES

We raden je aan om je grammofoonplaten schoon te maken met een antistatische doek om er maximaal plezier van te hebben en om ze lang mee te laten gaan.

We willen u er ook op wijzen dat om dezelfde reden uw naald regelmatig moet worden vervangen (ongeveer elke 250 uur).

DEUTSCH

Vielen Dank für den Kauf dieses Audiziosgeräts. Nehmen Sie sich einen Augenblick Zeit, um diese Anleitung sorgfältig durchzulesen, damit Sie die Möglichkeiten, die unser Produkt bietet, sofort voll ausnutzen können.

Lesen Sie erst die Anleitung vollständig vor der ersten Inbetriebnahme durch. Befolgen Sie die Anweisung, da sonst jeglicher Garantieanspruch verfällt. Treffen Sie stets alle Sicherheitsvorkehrungen um Feuer und/oder Stromschlag zu vermeiden. Reparaturen dürfen nur von qualifiziertem Fachpersonal ausgeführt werden, um Stromschlag zu vermeiden. Bewahren Sie diese Anleitung für spätere Bezugnahme auf.

- Bewahren Sie die Verpackung auf, um das Gerät im Bedarfsfall sicher transportieren zu können.
 - Bevor das Gerät in Betrieb genommen wird, muss es erst von einem Fachmann überprüft werden. Bei der ersten Benutzung kann etwas Geruch auftreten. Das ist normal und verschwindet nach einer Weile.
 - Das Gerät enthält unter Spannung stehende Teile. Daher NIEMALS das Gehäuse öffnen.
 - Keine Metallgegenstände oder Flüssigkeiten ins Gerät dringen lassen. Sie können zu Stromschlag und Defekten führen.
 - Gerät nicht in der Nähe von Wärmequellen wie Heizkörpern aufstellen. Nicht auf eine vibrierende Oberfläche stellen. Niemals die Belüftungsschlitze abdecken.
 - Das Gerät ist nicht für Dauerbetrieb geeignet.
 - Gehen Sie vorsichtig mit dem Netzkabel um und beschädigen Sie es nicht. Eine beschädigte Netzschnur kann zu Stromschlag und Defekten führen.
 - Wenn Sie das Gerät vom Netz trennen, immer am Stecker ziehen, niemals an der Schnur.
 - Um Feuer und Stromschlag zu vermeiden, das Gerät vor Regen und Feuchtigkeit schützen.
 - Den Stecker nie mit nassen Händen in eine Netzsteckdose stecken oder abziehen.
 - Wenn sowohl der Stecker und/oder die Netzschnur bzw. der Kabeleintritt ins Gerät beschädigt sind, müssen sie von einem Fachmann repariert werden.
 - Wenn das Gerät so beschädigt ist, dass Innenteile sichtbar sind, darf der Stecker NICHT in eine Steckdose gesteckt werden und das Gerät darf NICHT eingeschaltet werden. Wenden Sie sich in dem Fall an Ihren Fachhändler. Das Gerät darf nicht an einen Dimmer angeschlossen werden.
 - Reparaturen dürfen nur von einem Fachmann oder Sachverständigen ausgeführt werden.
 - Das Gerät nur an eine geerdete 10-16A Netzsteckdose mit 220-240V AC/50Hz Spannung anschließen.
 - Bei Gewitter oder längerem Nichtgebrauch den Netzstecker abziehen. Die Regel gilt: Bei Nichtgebrauch Netzstecker abziehen.
 - Wenn das Gerät längere Zeit nicht benutzt wurde, kann sich Kondenswasser gebildet haben. Lassen Sie das Gerät erst auf Zimmertemperatur kommen, bevor Sie es einschalten.
- Das Gerät nicht in feuchten Räumen oder im Freien benutzen.
 - Um Unfällen in der Öffentlichkeit vorzubeugen, müssen die geltenden Richtlinien beachtet und die Anweisungen/Warnungen befolgt werden.
 - Niemals das Gerät kurz hintereinander ein- und ausschalten. Dadurch verkürzt sich die Lebensdauer erheblich.
 - Das Gerät außerhalb der Reichweite von Kindern halten. Das Gerät niemals unbeaufsichtigt lassen.
 - Die Regler nicht mit Reinigungssprays reinigen. Diese hinterlassen Rückstände, die zu Staub- und Fettansammlungen führen. Bei Störungen immer einen Fachmann um Rat fragen.
 - Das Gerät nur mit sauberen Händen bedienen.
 - Das Gerät nicht mit Gewalt bedienen.
 - Dieses Gerät kann dazu führen Magnetfeld. Halten Sie das Gerät mindestens 60 cm vom Computer oder Fernseher.
 - Wenn dieses Gerät eine Blei-Säure-Batterie hat, soll dies jede 3 Monate zumindest wieder aufgeladen werden, wenn es nicht für eine längere Zeit nicht benutzt wird, sonst ist es möglich, dass die Batterie dauerhaft beschädigt.
 - Fachmann um Rat fragen, bevor Sie es wieder einschalten.
 - Keine chemischen Reinigungsmittel benutzen, die den Lack beschädigen. Das Gerät nur mit einem trockenen Tuch abwischen.
 - Nicht in der Nähe von elektronischen Geräten benutzen, die Brummstörungen verursachen können.
 - Bei Reparaturen nur die Original-Ersatzteile verwenden, um starke Schäden und/oder gefährliche Strahlungen zu vermeiden.
 - Bevor Sie das Netz- und/oder Anschlusskabel abziehen, erst das Gerät ausschalten. Netz- und Anschlusskabel abziehen, bevor Sie das Gerät umstellen.
 - Sorgen Sie dafür, dass das Netzkabel nicht beschädigt werden kann, wenn Menschen darüber laufen. Das Netzkabel vor jedem Einsatz auf Brüche/Schadstellen überprüfen.
 - In Deutschland beträgt die Netzspannung 220-240V AC / 50Hz. Wenn Sie das Gerät auf Reisen mitnehmen, prüfen Sie, ob die örtliche Netzspannung den Anforderungen des Geräts entspricht.



Dieses Zeichen weist den Benutzer darauf hin, dass lebensgefährliche Spannungen im Gerät anliegen, die bei Berührung einen Stromschlag verursachen.



Dieses Zeichen lenkt die Aufmerksamkeit des Benutzers auf wichtige Hinweise in der Anleitung hin, die unbedingt eingehalten werden müssen.

HINWEIS: Um einen einwandfreien Betrieb zu gewährleisten, muss die Raumtemperatur zwischen 5° und 35°C liegen.



Tronios BV Registrierungsnummer : DE51181017 (ElektroG).

Dieses Produkt darf am Ende seiner Lebensdauer nicht über den normalen Haushaltsabfall entsorgt werden, sondern muss an einem Sammelpunkt für das Recycling abgegeben werden. Hiermit leisten Sie einen wichtigen Beitrag zum Schutze unserer Umwelt.

Tronios BV Registrierungsnummer : 21003000 (BatterieG).

Lithiumbatterien und Akkupacks sollten nur im entladenen Zustand in die Altbatteriesammelgefäße bei Handel und bei öffentlich-rechtlichen Entsorgungsträgern gegeben werden. Bei nicht vollständig entladenen Batterien Vorsorge gegen Kurzschluss treffen durch Isolieren der Pole mit Klebestreifen. Der Endnutzer ist zur Rückgabe von Altbatterien gesetzlich verpflichtet.

Reparieren Sie das Gerät niemals selbst und nehmen Sie niemals eigenmächtig Veränderungen am Gerät vor. Sie verlieren dadurch den Garantieanspruch. Der Garantieanspruch verfällt ebenfalls bei Unfällen und Schäden in jeglicher Form, die durch unsachgemäßen Gebrauch und Nichtbeachtung der Warnungen und Sicherheitshinweise in dieser Anleitung entstanden sind. Audizio ist in keinem Fall verantwortlich für persönliche Schäden in Folge von Nichtbeachtung der Sicherheitsvorschriften und Warnungen. Dies gilt auch für Folgeschäden jeglicher Form.

AUSPACKEN

Packen Sie das Gerät sofort nach Empfang aus und prüfen Sie den Inhalt. Wenn Teile fehlen oder beschädigt sind, benachrichtigen Sie sofort den Spediteur und bewahren Sie die Verpackung auf. Falls ein Gerät ins Werk zurückgeschickt werden muss, ist es wichtig, dass es in der Originalverpackung versandt wird. Das Gerät darf nicht in Betrieb genommen werden, nachdem es von einem kalten in einen warmen Raum gebracht wurde. Das dabei entstehende Kondenswasser kann unter Umständen Ihr Gerät zerstören. Lassen Sie das Gerät solange ausgeschaltet, bis es Zimmertemperatur erreicht hat!

NETZANSCHLUSS

Die benötigte Versorgungsspannung steht auf dem Typenschild auf der Rückseite des Geräts. Die angegebenen Stromwerte entsprechen einem Durchschnittswert bei normalem Betrieb. Alle Geräte müssen direkt ans Netz angeschlossen werden und dürfen nicht über Dimmerpacks geschaltet werden. Bevor Sie eine Spannung anlegen, prüfen Sie, ob der Wert der zulässigen Spannung entspricht.



Verbinden Sie immer das Gerät an einem geschützten Schaltkreis (Leistungsschalter oder Sicherung). Stellen Sie sicher, das Gerät ist elektrisch geerdet, um das Risiko eines Stromschlags oder Feuer zu vermeiden.

ÜBERSICHT

1. Plattenteller

Legen Sie Ihre Langspielplatte hier ab.

2. 45RPM Adapter

Mit diesem Adapter können Sie 45RPM-Schallplatten abspielen.

3. Tonarm

Der Tonarm kann manuell angehoben oder abgesenkt werden.

4. Tonarmklammer

Diese Armklemme sichert den Tonarm, wenn er nicht benutzt wird.

5. Kassette mit Nadel

Wenn der Plattenspieler nicht benutzt wird, ist es ratsam, die abnehmbare Schutzkappe über die Nadel zu stülpen.

6. Tonarmhebel

Zum Anheben/Absenken des Tonarms verwenden.

7. 33/45/78 RPM Schalter

Dieser Schalter steuert die Geschwindigkeit des Drehtellers.

8. Autostop-Schalter EIN/AUS

Dieser Schalter schaltet die automatische Stoppfunktion ein/aus. Wenn die automatische Stoppfunktion eingeschaltet ist, beginnt sich die Schallplatte zu drehen, sobald der Tonarm über die Schallplatte gelegt wird, und hört auf, sich zu drehen, wenn sie das Ende der Schallplatte erreicht. Manche Schallplatten stoppen vor dem Ende oder halten nicht an, wenn das Ende erreicht ist. Stellen Sie in diesem Fall Auto-Stopp auf OFF.

9. BT-In/Out

Drücken Sie diese Taste, um zwischen den Modi BT und BT out zu wechseln.

Mit BT können Sie Musik von einem Streaming-Gerät wiedergeben.

Mit BT out können Sie den Ton von einer Phono-Aufnahme an kabellose BT-Kopfhörer oder -Lautsprecher wiedergeben.

10. Power & Lautstärkeregler

Drehen Sie diesen Knopf im Uhrzeigersinn, bis er einrastet, um den Plattenspieler einzuschalten. Wenn er eingeschaltet ist, können Sie mit diesem Knopf die Lautstärke einstellen. Um den Plattenspieler auszuschalten, drehen Sie diesen Knopf gegen den Uhrzeigersinn, bis er einrastet.

11. PC out (USB type B)

Verwenden Sie das mitgelieferte USB-Kabel, um Ihren Plattenspieler mit Ihrem Computer zu verbinden. Über die USB-Verbindung wird das Audiosignal vom Plattenspieler an Ihren Computer gesendet.

12. Aux-Eingang

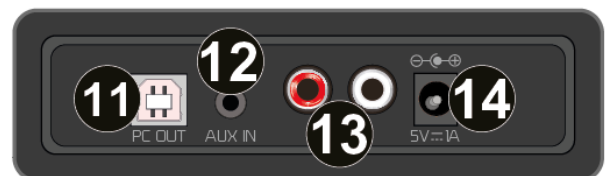
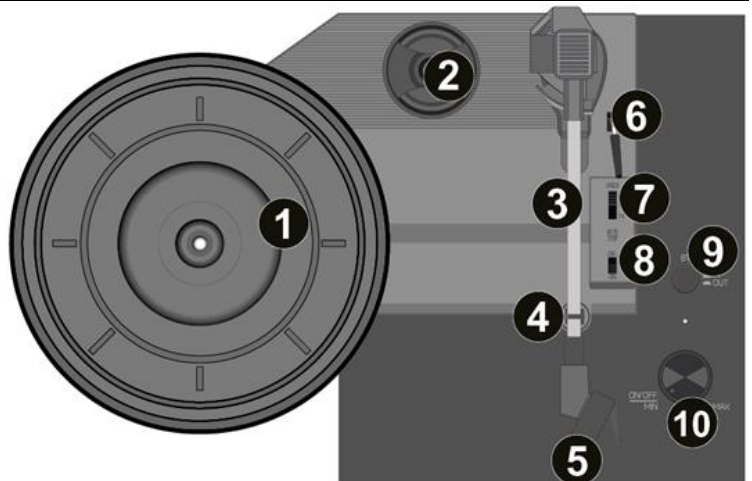
3,5 mm Hilfeingang.

13. Line-Ausgang

RCA-Ausgang zum Anschluss von z. B. externen Lautsprechern (nicht im Lieferumfang enthalten).

14. DC 5V-Eingang

5-V-Steckdose zum Anschluss des Netzteils.



ERSTE SCHRITTE

- Nehmen Sie den Plattenspieler aus dem Verpackungskarton.
- Schließen Sie das Netzkabel an und schalten Sie das Gerät ein.

Hinweis: Verwenden Sie nur das mit dem Plattenspieler gelieferte Kabel. Der Anschluss eines Netzteils mit einem anderen Nennwert kann zu dauerhaften Schäden am Plattenspieler führen und gefährlich sein.

PLATTENSPIELER

- Legen Sie die Schallplatte auf den Plattenteller. Legen Sie ggf. den 45 U/min-Adapter auf den Plattenteller.
- Wählen Sie die gewünschte Wiedergabegeschwindigkeit mit dem Geschwindigkeitsschalter (33-, 45- oder 78-rpm).
- Drehen Sie den Ein/aus und Lautstärkeregler im Uhrzeigersinn, um das Gerät einzuschalten.
- Stellen Sie sicher, dass die Schutzkappe des Stiftes entfernt ist.
- Entriegeln Sie den Tonarm durch Lösen der Tonarmklammer.
- Heben Sie den Arm mit dem Tonarmhebel an.
- Legen Sie die Nadel auf die Schallplatte, der Plattenteller beginnt sich automatisch zu drehen.
- Senken Sie die Nadel mit Hilfe des Tonarmhebels langsam auf die Schallplatte ab.
Wenn eine Schallplatte das Ende erreicht, hält der Plattenspieler automatisch an, wenn sich der Auto-Stopp-Schalter in der Position ON befindet. Befindet sich der Schalter in der Position OFF, dreht er sich weiter, bis der Schalter in die Position ON gedreht wird.
* Manche Schallplatten halten vor dem Ende an oder halten nicht an, wenn das Ende erreicht ist. Stellen Sie in diesem Fall den Auto-Stopp-Schalter auf OFF.
- Heben Sie den Tonarm an und stellen Sie ihn auf den Ständer, wenn Sie den Tonarmhebel betätigt haben.
- Verriegeln Sie den Tonarm durch Schließen der Tonarmklemme.
- Bringen Sie die Schutzkappe der Nadel wieder an.
- Schalten Sie das Gerät aus.

AUX IN

Sie können auf einem anderen Audiogerät oder Smartphone gespeicherte Musik über die 3,5-mm-Aux-In-Buchse an der Rückseite des Plattenspielers anhören. Verwenden Sie ein Kabel mit 3,5-mm-Klinkenstiften an beiden Enden, wobei ein Ende an die Aux-In-Buchse des Plattenspielers und das andere Ende an die Kopfhörerbuchse des Audiogeräts (oder den Line-Ausgang, falls vorhanden) angeschlossen wird.
Spielen Sie Musik auf dem angeschlossenen Gerät ab, der Ton wird vom Plattenspieler wiedergegeben.

MIT DEM COMPUTER VERBINDEN

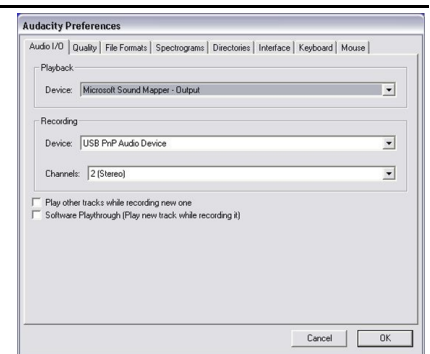
Trennen Sie den Plattenspieler von Ihrem Mischpult oder Ihrer HiFi-Anlage, bevor Sie ihn an einen Computer anschließen. Die mitgelieferte Software ist eine Anwendung eines Drittanbieters und Audizio kann daher keine Fragen oder Probleme im Zusammenhang mit der Software beantworten.

1. Schalten Sie den Computer ein.
2. Sobald der Computer hochgefahren ist, schließen Sie den Plattenspieler an. Der Computer wird nun die Treiber installieren.
3. Nachdem Sie die Treiber installiert haben, müssen Sie nun die Audacity-Software installieren. Scannen Sie den QR-Code unten, um zur Download-Seite zu gelangen.



AUDACITY VERWENDEN

- Stecken Sie das USB-Kabel auf der Rückseite des Geräts ein und das andere Ende in einen freien USB-Anschluss an Ihrem Computer.
- Starten Sie die Audacity-Software durch einen Doppelklick auf das Audacity-Symbol.
- Zum Aufnehmen klicken Sie oben auf der Hauptseite auf "Bearbeiten"; wählen Sie unten im Menü "Einstellungen", um die Einstellungen zu öffnen.
- Öffnen Sie im Aufnahmebereich des Fensters das Menü Gerät mit dem Abwärtspfeil auf der rechten Seite.
- Wählen Sie im Menü die Option USP PnP-Audiogerät aus. Aktivieren Sie auch das Kontrollkästchen neben "Software Playthrough (Play new track while recording)".
- Im unteren Feld kann die Anzahl der Aufnahmekanäle eingestellt werden, 1 ist Mono und 2 ist Stereo, wählen Sie die Option Stereo und klicken Sie auf "OK".



AUFNAHME AUF DEN COMPUTER MIT AUDACITY

- Starten Sie die Aufnahme wie oben beschrieben und drücken Sie oben im Audacity-Fenster auf Aufnahme, um die Aufnahme auf dem Computer zu starten.
- Nach der Aufnahme können Sie die Steuerelemente am oberen Bildschirmrand verwenden: Zum Start gehen, Abspielen, Aufnehmen, Pause, Stopp und zum Ende der Wellenform gehen.
- Verwenden Sie das Menü Bearbeiten, Ansicht, Projekt, Erzeugen, um Ihre Musik zu speichern, zu exportieren und zu bearbeiten.



- Wenn der Aufnahmepegel angepasst werden muss, klicken Sie auf "START", "EINSTELLUNGEN" und wählen Sie "Systemsteuerung". Wählen Sie in der Systemsteuerung "TON- und AUDIOGERÄTE", klicken Sie auf die Registerkarte "LAUTSTÄRKE" und wählen Sie "ERWEITERT".
- Wählen Sie im Hauptfenster des Volumens in der oberen linken Ecke Optionen und klicken Sie im Dropdown-Menü auf Eigenschaften.
- Wählen Sie im Fenster "Eigenschaften" die Option "USB PnP-Audiogerät" aus dem oberen Dropdown-Menü. Klicken Sie auf "OK", um die Auswahl zu bestätigen.
- Es erscheint nun ein Fenster mit einem Schieberegler für den Aufnahmepegel. Bewegen Sie diesen Regler nach oben, wenn die Aufnahme zu leise ist, und nach unten, wenn die Aufnahme zu laut ist.
HINWEIS: Die blaue Wellenform sollte im Audacity-Fenster so positioniert werden, dass die Spitzen oben und unten kurz aufhören.
- Bevor Sie Ihre Musik bearbeiten, markieren Sie die aufgenommene Wellenform.
- Um Ihre Wellenform hervorzuheben, klicken Sie mit der linken Maustaste auf die linke Seite der Wellenform (unter den L+R Regler) und die Wellenform wird dunkler.
- An diesem Punkt kann die gesamte Wellenform bearbeitet werden. Wenn jedoch nur ein Teil der Wellenform bearbeitet (oder gespeichert) werden muss, kann der gewünschte Abschnitt hervorgehoben werden, indem Sie die Maus auf den Anfang des Abschnitts setzen, die linke Taste gedrückt halten und den Mauszeiger nach rechts über den gewünschten Abschnitt ziehen und loslassen, wenn das Ende des gewünschten Abschnitts erreicht ist. Dieser dunkle Abschnitt ist nun der einzige Ton, der bearbeitet wird.
- Oder klicken Sie auf das Menü EDIT oben links, dann auf SELECT und wählen Sie aus: Alle (gesamte Wellenform).
Start bis Cursor oder Cursor bis Ende.
HINWEIS: Nach der Aufnahme auf dem Computer kann es erforderlich sein, das USB-Kabel aus dem USB-Anschluss zu entfernen, um eine spätere Wiedergabe auf dem Computer zu ermöglichen.



IHRE MUSIKDATEIEN EXPORTIEREN (.WAV)

- Nachdem Sie Ihre Musik aufgenommen und bearbeitet haben, können Sie Ihre Dateien auf Ihrem Computer speichern. Klicken Sie dazu auf Datei und gehen Sie auf die Registerkarte Exportieren als WAV.
- Klicken Sie auf diese Schaltfläche und Sie werden aufgefordert, einen Dateinamen für die aufgenommene Musik anzugeben. Sie wird an dem angezeigten Ort gespeichert. Notieren Sie nun den Ordner, in dem Ihre Musik gespeichert ist, oder speichern Sie sie in einem Ordner Ihrer Wahl.
- Dies kann ein bestehender Ordner oder ein neuer Ordner sein.

IHRE MUSIKDATEIEN EXPORTIEREN (.MP3)

- Nachdem Sie Ihre Musik aufgenommen und bearbeitet haben, müssen Sie Ihre Dateien auf Ihrem Computer speichern. Klicken Sie dazu auf "Datei" und gehen Sie auf die Registerkarte "Als mp3 exportieren".
- Klicken Sie auf diese Schaltfläche und Sie werden aufgefordert, einen Dateinamen für die aufgenommene Musik anzugeben. Sie wird an dem angezeigten Ort gespeichert. Notieren Sie nun den Ordner, in dem Ihre Musik gespeichert ist, oder speichern Sie sie in einem Ordner Ihrer Wahl.
- Dies kann ein bestehender Ordner oder ein neuer Ordner sein.

STELLUNGNAHME

Wir empfehlen Ihnen, Ihre Schallplatten mit einem antistatischen Tuch zu reinigen, damit Sie lange Freude an ihnen haben und sie lange halten. Wir möchten Sie auch daran erinnern, dass Sie aus demselben Grund Ihre Nadel regelmäßig austauschen sollten (etwa alle 250 Stunden).

Felicitaciones a la compra de este producto Audizio. Por favor lea atentamente este manual antes de usar el aparato para disfrutar al completo de sus prestaciones.

Seguir las instrucciones le permite no invalidar la garantía. Tome todas las precauciones para evitar que se produzca fuego o una descarga eléctrica. Las reparaciones solo deben llevarse a cabo por técnicos cualificados para evitar descargas eléctricas. Guarde el manual para futuras consultas.

sentirse cierto olor. Esto es normal y desaparece al poco tiempo.

- Este aparato contiene piezas que llevan voltaje. Por lo tanto NO abra la carcasa.
- No coloque objetos metálicos o vierta líquidos dentro del aparato. Podría producir descargas eléctricas y fallos en el funcionamiento.
- No coloque el aparato cerca de fuentes de calor tipo radiadores, etc. No coloque el aparato en superficies vibratorias. No tape los agujeros de ventilación.
- Este aparato no está preparado para un uso continuado.
- Tenga cuidado con el cable de alimentación y no lo dañe. Un daño o defecto en el cable de alimentación puede producir una descarga eléctrica o fallo en el funcionamiento.
- Cuando desconecte el aparato de la toma de corriente, siempre tire de la clavija, nunca del cable.
- No enchufe o desenchufe el aparato con las manos mojadas.
- Si la clavija y/o el cable de alimentación están dañados, necesitan reemplazarse por un técnico cualificado.
- Si el aparato está dañado de modo que puedan verse sus partes internas, NO conecte el aparato a la toma de corriente y NO lo encienda. Contacte con su distribuidor. NO conecte el aparato a un reostato o dimmer.
- Para evitar un fuego o peligro de descarga, no exponga el aparato a la lluvia y a la humedad.
- Todas las reparaciones deben llevarse a cabo exclusivamente por técnicos cualificados.
- Conecte el aparato a una toma de corriente con toma de tierra (220-240Vca/50Hz) protegida por un fusible de 10-16A.
- Durante una tormenta o si el aparato no va a usarse durante un periodo largo de tiempo, desconéctelo de la toma de corriente. La regla es: Desconéctelo si no lo va a usar.
- Si el aparato no se ha usado en mucho tiempo puede producirse condensación. Deje el aparato a temperatura ambiente antes de encenderlo. Nunca utilice el aparato en ambientes húmedos o en el exterior.
- Para prevenir accidentes en las empresas, debe seguir las directrices aplicables y seguir las instrucciones.
- No lo apague y encienda repetidamente. Esto acorta su tiempo de vida.
- Mantenga el aparato fuera del alcance de los niños. No deje el aparato sin vigilancia.
- No utilice sprays limpiadores para limpiar los interruptores. Los residuos de estos sprays producen depósitos de polvo y grasa. En caso de mal funcionamiento, siempre consulte a un profesional.
- No fuerce los controles.
- Si el aparato se ha caído, siempre haga que lo verifique un técnico cualificado antes de encenderlo otra vez.
- NO utilice productos químicos para limpiar el aparato. Dañan el barniz. Tan solo límpielo con un trapo seco.
- Manténgalo lejos de equipos electrónicos ya que pueden producir interferencias.
- Si este producto incorpora una batería recargable con base ácida, por favor recargue batería cada 3 meses si no va a usar la unidad por un tiempo prolongado. En caso contrario la batería podría dañarse.
- Solo utilice recambios originales para las reparaciones, de otro modo pueden producirse daños serios y/o radiaciones peligrosas.
- Apague el aparato antes de desconectarlo de la toma de corriente y/o de otros equipos. Desconecte todos los cables y conexiones antes de mover el aparato.
- Asegúrese de que el cable de alimentación no puede dañarse cuando la gente lo pise. Compruebe el cable de alimentación antes de cada uso por si hay daños o defectos.
- El voltaje de funcionamiento es 220-240Vca/50Hz. Compruebe que la toma de corriente coincide. Si tiene que viajar, asegúrese de que el voltaje del país es el adecuado para este aparato.
- Guarde el embalaje original para poder transportar el aparato en condiciones seguras.



Esta señal advierte al usuario de la presencia de alto voltaje en el interior de la carcasa y que es de la suficiente magnitud como para producir una descarga eléctrica.



Esta señal advierte al usuario de que el manual contiene instrucciones importantes que han de leerse y seguirse al pie de la letra.

NOTA: Para asegurarse de que el aparato funcione correctamente, debe usarse en ambientes a una temperatura de entre 5°C/41°F y 35°C/95°F.



Los productos electrónicos no pueden tirarse a la basura normal. Por favor lleve este producto a un centro de reciclaje. Pregunte a la autoridad local en caso de duda. Las especificaciones son generales. Los valores actuales pueden variar de una unidad a otra. Las especificaciones pueden variar sin previo aviso.

Nunca intente reparar usted mismo este equipo. Esta manipulación anulará la garantía. No realice cambios en la unidad. Esta manipulación anulará la garantía. Esta garantía no es aplicable en caso de accidente o daños ocasionados por uso indebido del aparato o mal uso del mismo. Audizio no se hace responsable de daños personales causados por el no seguimiento de las normas e instrucciones de este manual. Esto es aplicable también a los daños de cualquier tipo.

INSTRUCCIONES DE DESEMBALAJE

ATENCIÓN! Inmediatamente después de recibir un dispositivo, desempaqué cuidadosamente la caja de cartón, compruebe el contenido para asegurarse de que todas las partes están presentes, y se han recibido en buenas condiciones. Notifique inmediatamente al transportista y conserve el material de embalaje para la inspección por si aparecen daños causados por el transporte o el propio envase muestra signos de mal manejo. Guarde el paquete y todos los materiales de embalaje original. En el caso de que deba ser devuelto a la fábrica, es importante que el aparato sea devuelto en la caja de la fábrica y embalaje originales. Si el aparato ha estado expuesto a grandes cambios de temperatura (tras el transporte), no lo enchufe inmediatamente. La condensación de agua producida podría dañar su aparato. Deje el dispositivo apagado hasta que se haya alcanzado la temperatura ambiente.

FUENTE DE ALIMENTACIÓN

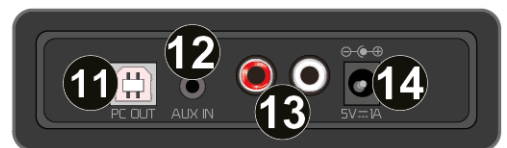
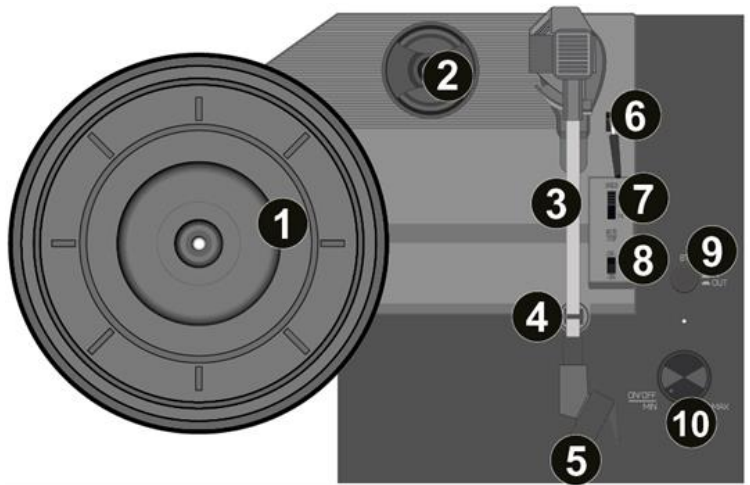
En la etiqueta de la parte trasera del controlador se indica el tipo de fuente de alimentación que debe ser conectado. Compruebe que la tensión de red corresponda a esto, todos los otros voltajes a la especificada, puede causar efectos irreparable. El producto también debe estar conectado directamente a la red para ser utilizado. No en ninguna fuente de alimentación o dimmer ajustable.



Conecte siempre el producto a un circuito protegido (disyuntor o fusible). Asegúrese de que el producto tiene una toma de tierra adecuada para evitar el riesgo de electrocución o incendio.

CONTROLES Y CONEXIONES

- 1. Plato giratorio**
Coloque aquí su registro.
- 2. Adaptador de 45 RPM**
Este adaptador permite reproducir discos de 45 RPM.
- 3. Brazo de tono**
El tóner fijo puede subirse y bajarse a mano o mediante mediante la palanca de subida/bajada.
- 4. Clip de brazo**
Este clip de brazo asegura el tóner mientras está en reposo o cuando no se utiliza. El clip del brazo ha sido diseñado para permanecer en la posición superior mientras está desbloqueado.
- 5. Cartucho con aguja**
Cuando no se utilice el giradiscos, se recomienda colocar la cubierta protectora extraíble sobre la aguja.
- 6. Palanca del brazo de tono**
Permite subir/bajar el brazo de tono.
- 7. Interruptor 33 / 45 / 78 RPM**
Sirve para ajustar las RPM del plato giratorio.
- 8. Interruptor de parada automática ON/OFF**
Este interruptor activa/desactiva la función de parada automática. Cuando la parada automática está activada, la plataforma empezará a girar en cuanto el brazo de tono se coloque sobre el disco y dejará de girar cuando haya llegado al final del disco. Algunos discos de vinilo se paran antes del final o no se paran cuando se llega al final. En este caso, ajuste Auto-stop en OFF.
- 9. BT-In/Out**
Púlsalo para cambiar entre los modos BT y BT out.
BT permite reproducir música desde un dispositivo de streaming.
BT out permite dirigir el sonido de la reproducción de discos fonográficos a auriculares o altavoces BT inalámbricos.
- 10. Mando de encendido y volumen**
Para encender el tocadiscos, gire este mando en el sentido de las agujas del reloj hasta que haga clic. Cuando esté encendido, utilice este mando para ajustar el volumen de los altavoces internos y de los auriculares. Para apagar el tocadiscos, gire este mando en sentido contrario a las agujas del reloj hasta que haga clic.
- 11. PC out (USB type B)**
Utilice el cable USB incluido para conectar el giradiscos al ordenador. La conexión USB enviará audio desde el giradiscos a tu ordenador.
- 12. Entrada AUX**
Toma de entrada auxiliar de 3,5 mm.
- 13. Salida de línea**
Salida de línea RCA para conectar altavoces externos (no incluidos).
- 14. DC IN**
Toma de alimentación de 5 V para conectar el adaptador de corriente suministrado.



CÓMO EMPEZAR

- Saque el tocadiscos de la caja.
- Enchufa la fuente de alimentación y enciende el aparato.
- **Precaución:** Utilice únicamente el cable suministrado con la unidad. La conexión de una fuente de alimentación con una clasificación diferente puede causar daños permanentes a la unidad y puede ser peligroso.

REPRODUCTOR DE DISCOS

- Coloque el disco en el plato giratorio. Si es necesario, coloque el adaptador de 45 rpm en el eje del disco.
- Seleccione la velocidad de reproducción deseada mediante el selector de velocidad (33, 45 ó 78 rpm).
- Gire el mando de encendido y volumen en el sentido de las agujas del reloj para encender el aparato, tenga en cuenta que éste es también el control del volumen.
- Asegúrese de retirar cualquier cubierta protectora del lápiz óptico.
- Desbloquee el brazo de tono soltando el clip del brazo de tono.
- Levante el brazo mediante la palanca del brazo de tono.
- Coloque la aguja verticalmente sobre la primera pista del disco, el tocadiscos comenzará a girar automáticamente.
- Baje lentamente la aguja sobre el disco utilizando la palanca del brazo fonocaptor.
- Cuando un disco llega al final, el tocadiscos se detendrá automáticamente si el interruptor de parada automática está en la posición ON. Si el interruptor está en la posición de apagado, seguirá girando hasta que el interruptor se coloque en la posición de encendido.
 - * Algunos discos de vinilo se detienen antes del final o no se detienen al llegar al final. En este caso, ajuste Auto-stop en OFF.
- Levante el brazo de tono y colóquelo en el soporte cuando haya terminado, utilizando siempre la palanca del brazo de tono.
- Bloquee el brazo de tono cerrando el clip del brazo de tono.
- Vuelva a colocar la tapa del palpador.
- Desconectar la alimentación.

ENTRADA AUX

Puedes escuchar la música almacenada en otro dispositivo de audio o smartphone a través del tocadiscos, conectándolo a la toma de entrada auxiliar de 3,5 mm de la parte posterior. Utiliza un cable con clavijas de 3,5 mm en ambos extremos, un extremo conectado a la toma aux-in del tocadiscos y el otro a la toma de auriculares del dispositivo de audio (o a la salida de línea, si está disponible). Reproduzca música en el dispositivo conectado, el sonido será emitido por el tocadiscos.

CONEXIÓN A UN ORDENADOR

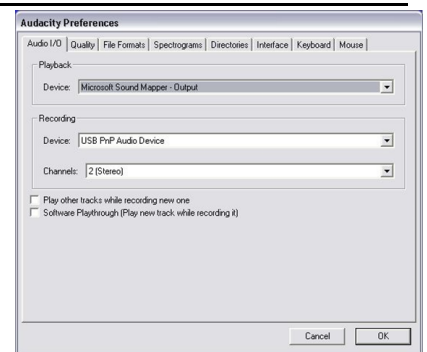
Antes de conectar el giradiscos a un ordenador, desconéctelo de su mezclador o sistema de alta fidelidad. El software incluido es una aplicación de terceros y, por lo tanto, Audizio no se hace cargo de ninguna pregunta o problema relacionado con el software.

1. Encender el ordenador.
2. Una vez que el ordenador se haya iniciado, conecte el tocadiscos. El ordenador instalará los controladores.
3. Una vez instalados los controladores, deberá instalar el software Audacity. Escanee el siguiente código QR para acceder a la página de descargas.



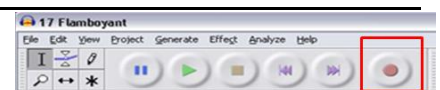
USO DE LA AUDACITY

- Conecta el cable USB a la parte posterior del dispositivo y el otro extremo a un puerto USB libre de tu ordenador.
- Inicie el software Audacity haciendo doble clic en el icono Audacity.
- Antes de grabar, haga clic en Editar en la parte superior de la página principal; seleccione Preferencias en la parte inferior del menú que se abre.
- En la sección de grabación de la ventana, abra el menú Dispositivo con la flecha hacia abajo situada a la derecha. Seleccione la opción USP PnP Audio Device del menú. Marque también la casilla junto a 'Software Playthrough (Reproducir nueva pista mientras se graba)'.
 - En el recuadro inferior puedes configurar el número de canales de grabación, 1 es Mono y 2 es Estéreo, selecciona la opción Estéreo.
- Haga clic en "Aceptar" una vez seleccionadas las opciones.

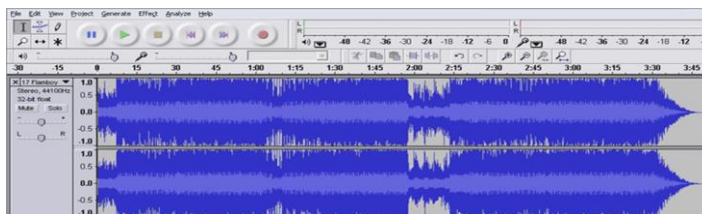


GRABAR EN EL ORDENADOR CON AUDACITY

- Inicie la reproducción de la grabación como se ha descrito anteriormente, y pulse grabar en la parte superior de la ventana de Audacity para iniciar la grabación en el ordenador.
- Una vez grabada, utiliza los controles de Transporte de la parte superior de la pantalla para: Ir al inicio, Reproducir, Grabar, Pausa, Parar e Ir al final.
- Utiliza Archivo, Editar, Ver, Proyecto, Generar para guardar, exportar y editar tu música.
- Si es necesario ajustar el nivel de grabación, haga clic en 'INICIO', 'AJUSTES' y seleccione 'Panel de control'. En Panel de control, seleccione "SONIDOS y DISPOSITIVOS DE AUDIO", haga clic en la pestaña "VOLUMEN" y seleccione "AVANZADO".



- En la ventana Volumen maestro, seleccione opciones en la esquina superior izquierda, haga clic en propiedades en el menú desplegable.
- En la ventana Propiedades, seleccione "Dispositivo de audio USB PnP" en el menú desplegable de la parte superior. Haga clic en "Aceptar" para confirmar la selección y aparecerá una ventana con un control para el nivel de grabación. Mueva este control hacia arriba si la grabación es demasiado baja y hacia abajo si la grabación es demasiado alta.



NOTA: la forma de onda azul debe situarse en la ventana de Audacity de forma que los picos de la misma se detengan en la parte superior e inferior. Antes de editar su música, la forma de onda grabada deberá estar resaltada.

- Para resaltar su forma de onda, haga clic con el botón izquierdo del ratón en la parte izquierda de la forma de onda (debajo de los controles L+R) y la forma de onda se oscurecerá.
- En este punto se puede editar toda la forma de onda. La sección deseada puede resaltarse colocando el ratón sobre el principio de la sección, manteniendo pulsado el botón izquierdo y arrastrándolo hacia la derecha sobre el área deseada, y soltándolo al llegar al final de la sección deseada. Esta sección oscurecida será el único audio que se editará.
- Alternativamente, haga clic en el menú EDITAR en la parte superior izquierda y haga clic en SELECCIONAR, a continuación, elija entre: Todo (toda la forma de onda), Inicio hasta el cursor o Cursor hasta el final.

NOTA: después de grabar en el ordenador, puede que sea necesario retirar el cable USB del puerto USB para poder reproducir posteriormente desde el ordenador.

EXPORTAR ARCHIVOS DE MÚSICA (.WAV)

- Una vez que hayas grabado y editado tu música, tendrás que guardar los archivos en el ordenador. Para ello, haz clic en Archivo y desplázate hasta la pestaña Exportar como WAV.
- Haga clic en esta opción y se le pedirá el nombre de archivo de la música grabada, que se guardará en la ubicación indicada. En este punto, anota la carpeta en la que se guarda la música o guárdala en una carpeta de tu elección.
- Puede ser una carpeta existente o una nueva.

EXPORTAR ARCHIVOS DE MÚSICA (.MP3)

- Una vez que hayas grabado y editado tu música, tendrás que guardar tus archivos en el ordenador. Para ello, haz clic en Archivo y desplázate hasta la pestaña Exportar como Mp3.
- Haz clic en esta opción y se te pedirá el nombre de archivo de la música grabada, que se guardará en la ubicación indicada. En este punto, anota la carpeta en la que se guarda la música o guárdala en la carpeta que prefieras.
- Puede ser una carpeta existente o una nueva.

NOTAS

Le aconsejamos que limpie sus discos con un paño antiestático para disfrutar al máximo de ellos y para que duren. También le recordamos que, por la misma razón, debe sustituir periódicamente la aguja (aproximadamente cada 250 horas).

FRANÇAIS

Nous vous remercions d'avoir acheté un produit Audizio. Veuillez lire la présente notice avant l'utilisation afin de pouvoir en profiter pleinement. Veuillez lire la notice avant toute utilisation. Respectez impérativement les instructions afin de continuer à bénéficier de la garantie. Prenez toutes les précautions nécessaires pour éviter tout incendie ou décharge électrique. Seul un technicien spécialisé peut effectuer les réparations. Nous vous conseillons de conserver la présente notice pour pouvoir vous y reporter ultérieurement.

- Avant d'utiliser l'appareil, prenez conseil auprès d'un spécialiste. Lors de la première mise sous tension, il est possible qu'une odeur soit perceptible. C'est normal, l'odeur disparaîtra peu de temps après.
- L'appareil contient des composants porteurs de tension. N'OUVREZ JAMAIS le boîtier.
- Ne placez pas des objets métalliques ou du liquide sur l'appareil, cela pourrait causer des décharges électriques et dysfonctionnements.
- Ne placez pas l'appareil à proximité de sources de chaleur, par exemple radiateur. Ne positionnez pas l'appareil sur une surface vibrante. N'obturez pas les ouïes de ventilation.
- L'appareil n'est pas conçu pour une utilisation en continu.
- Faites attention au cordon secteur, il ne doit pas être endommagé.
- Lorsque vous débranchez l'appareil de la prise secteur, tenez-le par la prise, ne tirez jamais sur le cordon.
- Ne branchez pas et ne débranchez pas l'appareil avec les mains mouillées.
- Seul un technicien spécialisé peut remplacer la fiche secteur et / ou le cordon secteur.
- Si l'appareil est endommagé et donc les éléments internes sont visibles, ne branchez pas l'appareil, NE L'ALLUMEZ PAS. Contactez votre revendeur. NE BRANCHEZ PAS l'appareil à un rhéostat ou un dimmer.
- Pour éviter tout risque d'incendie ou de décharge électrique, n'exposez pas l'appareil à la pluie ou à l'humidité.
- Seul un technicien habilité et spécialisé peut effectuer les réparations
- Branchez l'appareil à une prise secteur 220-240 Vac/50 Hz avec terre, avec un fusible 10-16 A.
- Pendant un orage ou en cas de non-utilisation prolongée de l'appareil, débranchez l'appareil du secteur.
- En cas de non-utilisation prolongée de l'appareil, de la condensation peut être créée. Avant de l'allumer, laissez l'appareil atteindre la température ambiante. Ne l'utilisez jamais dans des pièces humides ou en extérieur.
- Afin d'éviter tout accident en entreprise, vous devez respecter les conseils et instructions.
- N'allumez pas et n'éteignez pas l'appareil de manière répétée. Cela réduit sa durée de vie.
- Conservez l'appareil hors de la portée des enfants. Ne laissez pas l'appareil sans surveillance.
- N'utilisez pas d'aérosols pour nettoyer les interrupteurs. Les résidus créent des dépôts et de la graisse. En cas de dysfonctionnement, demandez conseil à un spécialiste.
- Ne forcez pas les réglages.
- L'appareil contient un haut-parleur pouvant engendrer des champs magnétiques. Tenez cet appareil à 60 cm au moins d'un téléviseur ou ordinateur.
- Si le produit comprend un accumulateur intégré plomb-acide, rechargez l'accumulateur tous les 3 mois en cas de non-utilisation prolongée de l'appareil. Sinon, l'accumulateur pourrait être endommagé de manière permanente.
- Si l'accumulateur est endommagé, remplacez-le par un accumulateur de même type et déposez l'ancien accumulateur dans un container de recyclage adapté.
- Si l'appareil est tombé, faites-le toujours vérifier par un technicien avant de le rallumer.
- Pour nettoyer l'appareil, n'utilisez pas de produits chimiques qui abîment le revêtement, utilisez uniquement un tissu sec.
- Tenez toujours l'appareil éloigné de tout équipement électrique pouvant causer des interférences.
- Pour toute réparation, il faut impérativement utiliser des pièces d'origine, sinon il y a risque de dommages graves et / ou de radiations dangereuses.
- Eteignez toujours l'appareil avant de le débrancher du secteur et de tout autre appareil. Débranchez tous les cordons avant de déplacer l'appareil.
- Assurez-vous que le cordon secteur n'est pas abîmé si des personnes viennent à marcher dessus. Avant toute utilisation, vérifiez son état.
- La tension d'alimentation est de 220-240Vac/50 Hz. Vérifiez la compatibilité. Si vous voyagez, vérifiez que la tension d'alimentation du pays est compatible avec l'appareil.
- Conservez l'emballage d'origine pour pouvoir transporter l'appareil en toute sécurité.



Ce symbole doit attirer l'attention de l'utilisateur sur les tensions élevées présentes dans le boîtier de l'appareil, pouvant engendrer une décharge électrique.



Ce symbole doit attirer l'attention de l'utilisateur sur des instructions importantes détaillées dans la notice, elles doivent être lues et respectées.

Cet appareil porte le symbole CE. Il est interdit d'effectuer toute modification sur l'appareil. La certification CE et la garantie deviendraient caduques !

NOTE: Pour un fonctionnement normal de l'appareil, il doit être utilisé en intérieur avec une plage de température maximale autorisée entre 5°C/41°F et 35°C/95°F.



Ne jetez pas les produits électriques dans la poubelle domestique. Déposez-les dans une décharge. Demandez conseil aux autorisés ou à votre revendeur. Données techniques réservées. Les valeurs actuelles peuvent varier d'un produit à l'autre. Tout droit de modification réservé sans notification préalable.

N'essayez pas de réparer l'appareil vous-même. Vous perdriez tout droit à la garantie. Ne faites aucune modification sur l'appareil. Vous perdriez tout droit à la garantie. La garantie deviendrait également caduque en cas d'accidents ou dommages causés par une utilisation inappropriée de l'appareil ou un non-respect des consignes présentes dans cette notice. Audizio ne pourrait être tenu responsable en cas de dommages matériels ou corporels causés par un non-respect des consignes de sécurité et avertissements. Cela est également valable pour tous les dommages quelle que soit la forme.

DEBALLAGE

ATTENTION ! Immédiatement après réception, vérifiez le contenu du carton et assurez-vous que tous les éléments sont bien présents et en bon état. Si besoin, faites les réserves nécessaires si le matériel ou les cartons sont endommagés. Si l'appareil doit être retourné, faites-le dans l'emballage d'origine. Si l'appareil a été exposé à des fluctuations importantes de températures (par exemple après le transport), ne l'allumez pas immédiatement. De la condensation peut survenir. Laissez l'appareil éteint le temps qu'il atteigne la température ambiante.

ALIMENTATION

Vous trouvez sur l'étiquette à l'arrière de l'appareil, le type d'alimentation à utiliser. Vérifiez que la tension d'alimentation corresponde à celle mentionnée. Toute autre alimentation peut endommager l'appareil. Reliez l'appareil au secteur, il est prêt à être utilisé. En aucun cas, vous ne devez utiliser de dimmer ou d'alimentation réglable.



Connectez toujours l'appareil à un circuit protégé (disjoncteur ou fusible). Assurez-vous que l'appareil soit correctement relié à la terre afin d'éviter tout risque d'électrocution ou d'incendie.

COMMANDES ET CONNEXIONS

1. Plateau tournant

Placez votre enregistrement ici.

2. Adaptateur 45 RPM

Cet adaptateur permet de lire des disques de 45 tours.

3. Bras de tonalité

Le bras de lecture fixe peut être levé et abaissé à la main ou à l'aide du levier d'élévation et d'abaissement.

4. Clip de bras

Ce clip de bras sécurise le bras de lecture lorsqu'il est au repos ou lorsqu'il n'est pas utilisé. Le clip de bras a été conçu pour rester en position haute lorsqu'il est déverrouillé.

5. Cartouche avec aiguille

Lorsque la platine n'est pas utilisée, il est recommandé de placer le couvercle de protection amovible sur la pointe de lecture.

6. Levier du bras de lecture

Permet de monter/descendre le bras de lecture.

7. 33 / 45 / 78 tours/minute

Permet de régler la vitesse de rotation du plateau de la table tournante.

8. Interrupteur Autostop ON/OFF

Cet interrupteur permet d'activer ou de désactiver la fonction d'arrêt automatique. Lorsque l'arrêt automatique est activé, la plate-forme commence à tourner dès que le bras de lecture est placé sur le disque et s'arrête lorsqu'elle a atteint la fin du disque. Certains disques vinyles s'arrêtent avant la fin ou ne s'arrêtent pas lorsque la fin est atteinte. Dans ce cas, réglez Auto-stop sur OFF.

9. BT-In/Out

Appuyez sur cette touche pour basculer entre les modes BT et BT out.

Le mode BT permet de lire de la musique à partir d'un appareil de diffusion en continu.

La sortie BT permet de diriger le son de la lecture d'enregistrements phono vers un casque ou des haut-parleurs BT sans fil.

10. Contrôle de l'alimentation et du volume

Pour mettre le tourne-disque sous tension, tournez ce bouton dans le sens des aiguilles d'une montre jusqu'à ce qu'il s'enclenche. Lorsque le tourne-disque est sous tension, ce bouton permet de régler le volume des haut-parleurs internes et du casque. Pour éteindre le tourne-disque, tournez ce bouton dans le sens inverse des aiguilles d'une montre jusqu'à ce qu'il s'enclenche.

11. PC out (USB type B)

Utilisez le câble USB fourni pour connecter votre platine à votre ordinateur. La connexion USB enverra le son de la platine à votre ordinateur.

12. Entrée AUX

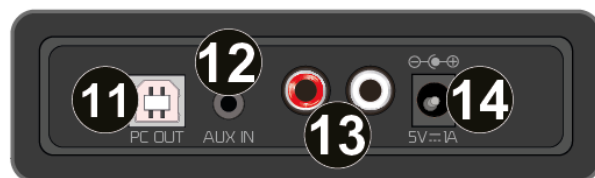
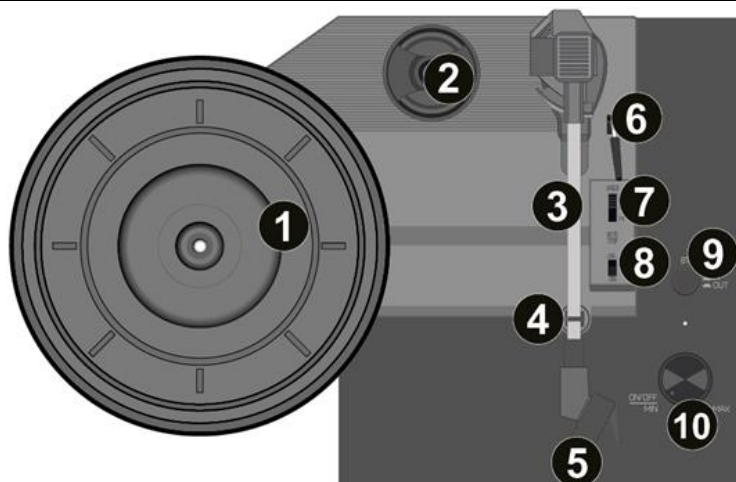
Prise d'entrée auxiliaire de 3,5 mm.

13. Sortie de ligne

Sortie ligne RCA pour connecter des haut-parleurs externes (non inclus).

14. DC IN

Prise d'alimentation 5V pour connecter l'adaptateur d'alimentation fourni.



POUR COMMENCER

- Retirer le tourne-disque de l'emballage.
- Brancher l'alimentation électrique et mettre l'appareil sous tension.

Attention : Utilisez uniquement le câble fourni avec l'appareil. Le branchement d'un bloc d'alimentation d'une puissance différente peut endommager l'appareil de façon permanente et peut être dangereux.

TOURNE-DISQUE

- Placez le disque sur la platine. Si nécessaire, placez l'adaptateur 45 tours sur l'axe du disque.
- Choisissez la vitesse de lecture souhaitée à l'aide du commutateur de sélection de la vitesse (33, 45 ou 78 tours/minute).
- Tournez le bouton de réglage de l'alimentation et du volume dans le sens des aiguilles d'une montre pour mettre l'appareil en marche, notez que c'est également le bouton de réglage du volume.
- Veillez à ce que tout couvercle de protection soit retiré du stylet.
- Déverrouillez le bras de lecture en relâchant le clip du bras de lecture.
- Relever le bras à l'aide du levier du bras de lecture.
- Placez le stylet verticalement sur la première piste du disque, la platine commencera à tourner automatiquement.
- Abaisser lentement la pointe de lecture sur le disque en utilisant le levier du bras de lecture.
- Lorsqu'un disque arrive à la fin, la platine s'arrête automatiquement si l'interrupteur d'arrêt automatique est en position ON. Si l'interrupteur est en position d'arrêt, elle continuera à tourner jusqu'à ce que l'interrupteur soit mis en position de marche.
 - * Certains disques vinyles s'arrêtent avant la fin ou ne s'arrêtent pas lorsque la fin est atteinte. Dans ce cas, réglez Auto-stop sur OFF.
- Soulevez le bras de lecture et posez-le sur le support lorsque vous avez terminé, en utilisant toujours le levier du bras de lecture.
- Verrouillez le bras de lecture en fermant le clip du bras de lecture.
- Remettre en place le couvercle du stylet.
- Couper l'alimentation.

ENTRÉE AUX

Vous pouvez écouter la musique stockée sur un autre appareil audio ou un smartphone par l'intermédiaire du tourne-disque, en le connectant à la prise auxiliaire de 3,5 mm située à l'arrière. Utilisez un câble avec des broches de 3,5 mm aux deux extrémités, l'une connectée à la prise d'entrée auxiliaire du tourne-disque, l'autre connectée à la prise écouteurs de l'appareil audio (ou à la sortie ligne si elle est disponible). Jouez de la musique sur l'appareil connecté, le son sera émis par la platine.

CONNEXION À UN ORDINATEUR

Avant de connecter la platine à un ordinateur, déconnectez-la de votre table de mixage ou de votre chaîne hi-fi.

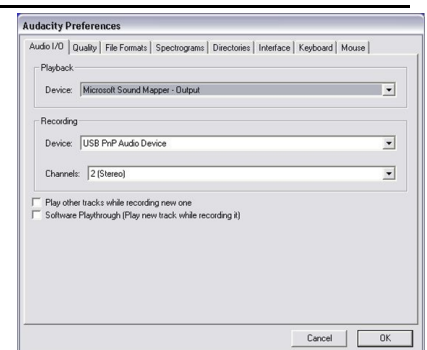
Le logiciel fourni est une application tierce et, par conséquent, Audizio ne répond pas aux questions ou aux problèmes liés au logiciel.

1. Allumer l'ordinateur.
2. Une fois que l'ordinateur a démarré, connectez la platine. L'ordinateur va maintenant installer les pilotes.
3. Une fois les pilotes installés, vous devez maintenant installer le logiciel Audacity. Veuillez scanner le code QR ci-dessous pour accéder à la page de téléchargement.



UTILISER AUDACITY

- Branchez le câble USB à l'arrière de l'appareil et l'autre extrémité à un port USB libre de votre ordinateur.
- Lancer le logiciel Audacity en double-cliquant sur l'icône Audacity.
- Avant l'enregistrement, cliquez sur "Editer" en haut de la page principale ; sélectionnez "Préférences" en bas du menu qui s'ouvre. en bas du menu qui s'ouvre.
- Dans la section d'enregistrement de la fenêtre, ouvrez le menu Device avec la flèche vers le bas à droite. Sélectionnez l'option Périphérique audio USP PnP dans le menu. Cochez également la case située à côté de "Software Playthrough (Play new track while it is being recorded)".
- Dans la case inférieure, vous pouvez définir le nombre de canaux d'enregistrement, 1 est Mono et 2 est Stéréo, sélectionnez l'option Stéréo.
- Cliquez sur "OK" une fois les options sélectionnées.



ENREGISTREMENT SUR ORDINATEUR À L'AIDE D'AUDACITY

- Lancez la lecture de l'enregistrement comme décrit ci-dessus, et appuyez sur record en haut de la fenêtre d'Audacity pour commencer l'enregistrement sur l'ordinateur.
- Une fois l'enregistrement effectué, utilisez les commandes de transport situées en haut de l'écran pour : Aller au début, Lire, Enregistrer, Mettre en pause, Arrêter et Aller à la fin.



- Utilisez les boutons File, Edit, View, Project, Generate, pour enregistrer, exporter et éditer votre musique.
- Si le niveau d'enregistrement doit être ajusté, cliquez sur 'DÉMARRER', 'PARAMÈTRES' et sélectionnez 'Panneau de configuration'. Dans le Panneau de configuration, sélectionnez 'SONS et DISPOSITIFS AUDIO', cliquez sur l'onglet 'VOLUME' et sélectionnez 'AVANCÉ'.



- Dans la fenêtre du volume principal, sélectionnez les options dans le coin supérieur gauche, puis cliquez sur Propriétés dans le menu déroulant.
- Dans la fenêtre Propriétés, sélectionnez "Périphérique audio USB PnP" dans le menu déroulant du haut. Cliquez sur "OK" pour confirmer la sélection et une fenêtre apparaît avec un contrôle du niveau d'enregistrement. Déplacez cette commande vers le haut si l'enregistrement est trop silencieux et vers le bas si l'enregistrement est trop fort.

REMARQUE : la forme d'onde bleue doit être placée dans la fenêtre d'Audacity de manière à ce que les crêtes s'arrêtent avant le haut et le bas de la fenêtre. Avant d'éditer votre musique, la forme d'onde enregistrée doit être mise en évidence.

- Pour mettre en évidence votre forme d'onde, cliquez avec le bouton gauche de la souris sur le côté gauche de la forme d'onde (sous les commandes L+R) et la forme d'onde s'assombrit.
- À ce stade, l'ensemble de la forme d'onde peut être modifié. La section requise peut être mise en évidence en plaçant la souris sur le début de la section, en maintenant le bouton gauche enfoncé et en la faisant glisser vers la droite sur la zone requise, puis en la relâchant lorsque la fin de la section souhaitée est atteinte. Cette section assombrie sera désormais la seule partie audio qui sera éditée.
- Vous pouvez également cliquer sur le menu EDIT en haut à gauche et cliquer sur SELECT, puis choisir entre : All (toute la forme d'onde), Start to Cursor (du début au curseur) ou Cursor to end (du curseur à la fin).

REMARQUE : après l'enregistrement sur l'ordinateur, il peut être nécessaire de retirer le câble USB du port USB afin de permettre la lecture ultérieure à partir de l'ordinateur.

EXPORTER VOS FICHIERS MUSICAUX (.WAV)

- Une fois que vous avez enregistré et édité votre musique, vous devez sauvegarder vos fichiers sur l'ordinateur. Pour ce faire, cliquez sur fichier et descendez jusqu'à l'onglet Exporter en tant que WAV.
- Cliquez sur ce bouton et vous serez rapidement invité à indiquer le nom du fichier de la musique enregistrée, qui sera sauvegardé à l'emplacement indiqué. À ce stade, vous pouvez soit noter le dossier dans lequel votre musique est enregistrée, soit l'enregistrer dans un dossier de votre choix.
- Il peut s'agir d'un dossier existant ou d'un nouveau dossier.

EXPORTER VOS FICHIERS MUSICAUX (.MP3)


- Une fois que vous avez enregistré et édité votre musique, vous devez sauvegarder vos fichiers sur l'ordinateur. Pour ce faire, cliquez sur fichier et descendez jusqu'à l'onglet Exporter en tant que MP3.
- Cliquez sur ce bouton et vous serez rapidement invité à indiquer le nom du fichier de la musique enregistrée, qui sera sauvegardé à l'emplacement indiqué. À ce stade, vous pouvez soit noter le dossier dans lequel votre musique est enregistrée, soit l'enregistrer dans un dossier de votre choix.
- Il peut s'agir d'un dossier existant ou d'un nouveau dossier.


REMARQUE

Nous vous conseillons de nettoyer vos disques avec un chiffon antistatique pour en profiter au maximum et les faire durer. Nous vous signalons également que, pour la même raison, votre stylet doit être remplacé périodiquement (environ toutes les 250 heures).


Gratulujemy zakupu tego produktu firmy Audizio. Prosimy o dokładne zapoznanie się z niniejszą instrukcją przed rozpoczęciem korzystania z urządzenia, aby w pełni wykorzystać wszystkie jego funkcje. Przeczytaj instrukcję przed rozpoczęciem korzystania z urządzenia. Postępuj zgodnie z instrukcjami, aby nie unieważnić gwarancji. Podjąć wszelkie środki ostrożności, aby uniknąć pożaru i/lub porażenia prądem. Naprawy mogą być wykonywane wyłącznie przez wykwalifikowanego technika, aby uniknąć porażenia prądem. Instrukcję należy zachować do wykorzystania w przyszłości.

- Przed rozpoczęciem użytkowania urządzenia należy zasięgnąć porady specjalisty. Przy pierwszym włączeniu urządzenia może pojawić się nieprzyjemny zapach. Jest to normalne i po chwili zniknie.
- Urządzenie zawiera części przewodzące napięcie. Dlatego NIE należy otwierać obudowy.
- Nie należy umieszczać metalowych przedmiotów ani wlewać płynów do urządzenia. Może to spowodować porażenie prądem elektrycznym i nieprawidłowe działanie.
- Nie należy umieszczać urządzenia w pobliżu źródeł ciepła, takich jak grzejniki itp. Nie umieszczać urządzenia na wibrującej powierzchni. Nie zakrywać otworów wentylacyjnych.
- Urządzenie nie nadaje się do pracy ciągłej.
- Należy zachować ostrożność z przewodem zasilającym i nie wolno go uszkodzić. Wadliwy lub uszkodzony przewód sieciowy może spowodować porażenie prądem elektrycznym i wadliwe działanie.
- Podczas odłączania urządzenia od gniazdka sieciowego należy zawsze wyciągać wtyczkę, a nie przewód.
- Nie należy podłączać ani odłączać urządzenia mokrymi rękami.
- Jeśli wtyczka i/lub przewód sieciowy są uszkodzone, należy je wymienić przez wykwalifikowanego technika.
- Jeśli urządzenie jest uszkodzone w takim stopniu, że widoczne są części wewnętrzne, NIE podłączać urządzenia do gniazdka sieciowego i NIE włączać urządzenia. Skontaktować się ze sprzedawcą.
- Aby uniknąć zagrożenia pożarem i porażeniem prądem, nie wystawiać urządzenia na działanie deszczu i wilgoci.
- Wszystkie naprawy powinny być wykonywane wyłącznie przez wykwalifikowanego technika.
- Podłączyć urządzenie do uziemionego gniazdka sieciowego (220-240Vac/50Hz) zabezpieczonego bezpiecznikiem 10-16A.
- Podczas burzy z piorunami lub jeśli urządzenie nie będzie używane przez dłuższy okres czasu, należy odłączyć je od sieci elektrycznej. Zasada jest taka sama: Gdy urządzenie nie jest używane, należy je odłączyć od sieci zasilającej.
- Jeśli urządzenie nie było używane przez dłuższy okres czasu, może dojść do kondensacji pary wodnej. Przed włączeniem urządzenie powinno osiągnąć temperaturę pokojową.
- Nigdy nie używać urządzenia w wilgotnych pomieszczeniach lub na zewnątrz.
- Aby zapobiec wypadkom w firmach, należy postępować zgodnie z obowiązującymi wytycznymi i instrukcjami.
- Nie należy wielokrotnie włączać i wyłączać urządzenia. Skraca to żywotność urządzenia.
- Przechowywać urządzenie w miejscu niedostępnym dla dzieci. Nie pozostawiać urządzenia bez nadzoru.
- Do czyszczenia przelotników nie używać sprayów czyszczących. Pozostałości tych sprayów powodują osadzenie się kurzu i smaru. W przypadku awarii należy zawsze zasięgnąć porady specjalisty.
- Nie wolno wymuszać używania elementów sterujących.
- Wewnątrz urządzenia znajduje się głośnik, który może powodować pole magnetyczne. Urządzenie należy trzymać w odległości co najmniej 60 cm od komputera lub telewizora.
- Jeśli ten produkt ma wbudowany akumulator kwasowo-ołowiowy. Jeśli nie zamierzasz używać produktu przez dłuższy okres czasu, ładuj go co 3 miesiące. W przeciwnym razie bateria może ulec trwałemu uszkodzeniu.
- Jeśli bateria jest uszkodzona, należy wymienić ją na baterię o tej samej specyfikacji. Uszkodzoną baterię należy utylizować w sposób przyjazny dla środowiska.
- Jeśli urządzenie upadło, przed ponownym włączeniem należy je sprawdzić przez wykwalifikowanego technika.
- Do czyszczenia urządzenia nie należy używać środków chemicznych. Uszkodzą one lakier. Urządzenie należy czyścić wyłącznie suchą ściereczką.
- Trzymać z dala od sprzętu elektronicznego, który może powodować zakłócenia.
- Do napraw należy używać wyłącznie oryginalnych części zamiennych, w przeciwnym razie może dojść do poważnych uszkodzeń i/lub niebezpiecznego promieniowania.
- Przed odłączeniem urządzenia od sieci elektrycznej i/lub innych urządzeń należy je wyłączyć. Przed przeniesieniem urządzenia należy odłączyć wszystkie przewody i kable.
- Upewnić się, że przewód zasilający nie może zostać uszkodzony, gdy ludzie chodzą po nim. Przed każdym użyciem należy sprawdzić przewód sieciowy pod kątem uszkodzeń i usterek!
- Napięcie sieciowe wynosi 220-240Vac/50Hz. Sprawdź, czy gniazdo zasilania pasuje. W przypadku podróży należy upewnić się, że napięcie sieciowe w danym kraju jest odpowiednie dla tego urządzenia.
- Należy zachować oryginalne opakowanie, aby umożliwić bezpieczny transport urządzenia.

 Ten znak zwraca uwagę użytkownika na wysokie napięcie, które jest obecne w środku obudowy urządzenia. Napięcie jest wystarczające, aby porazić użytkownika.

 Ten znak zwraca uwagę użytkownika do ważnych informacji, które znajdują się w instrukcji. Informacje te powinny być przeczytane oraz uwzględnione w codziennym użytkowaniu
Urządzenie posiada certyfikat CE. **Nie wolno** wprowadzać żadnych zmian w urządzeniu. Każda modyfikacja sprzętu spowoduje utratę certyfikatu CE oraz gwarancji!

UWAGA: Urządzenie może funkcjonować w pomieszczeniach o temperaturze pomiędzy 5°C/41°F oraz 35°C/95°F.

 **WAŻNA INFORMACJA:** Urządzenia elektryczne muszą być składowane w miejscach do tego przeznaczonych. Sprawdź, gdzie w Twojej okolicy znajduje się najbliższe centrum recyklingu. Specyfikacja techniczna poszczególnych urządzeniach może się nieznacznie różnić. Specyfikacja może ulec zmian bez powiadomień.

Nie próbuj dokonywać żadnych napraw samodzielnie, to spowoduje unieważnienie gwarancji. Gwarancja nie dotyczy uszkodzeń spowodowanych niewłaściwym użytkowaniem sprzętu, niezgodnie z instrukcją. Audizio nie jest odpowiedzialny za uszczerbek na zdrowiu oraz kontuzje spowodowane niestosowaniem się do zaleceń bezpieczeństwa. Dotyczy to wszelakich uszkodzeń.

INSTRUKCJA ROZPAKOWANIA

UWAGA! Po otrzymaniu przesyłki należy ostrożnie ją rozpakować. Sprawdzić zawartość, aby upewnić się, że wszystkie części są obecne i zostały dostarczone w dobrym stanie. Jeśli jakiegokolwiek części wyglądają na uszkodzone podczas transportu lub opakowanie nosi ślady niewłaściwego obchodzenia się z nimi, należy natychmiast powiadomić dostawcę i zachować materiały opakowaniowe. Należy zachować opakowanie i wszystkie materiały opakowaniowe. Jeśli produkt musi zostać zwrócony, ważne jest, aby był zwrócony w oryginalnym fabrycznym pudełku i opakowaniu. Jeśli urządzenie zostało narażone na drastyczne zmiany temperatury (np. po transporcie), nie należy go od razu włączyć. Powstająca woda kondensacyjna może uszkodzić urządzenie. Pozostawić urządzenie wyłączone, aż osiągnie temperaturę pokojową.

ZASILANIE

Na etykiecie znajdującej się na tylnej stronie produktu podany jest typ zasilania, który należy podłączyć. Sprawdź, czy napięcie sieciowe odpowiada temu, wszystkie inne napięcia niż podane, urządzenie może zostać nieodwracalnie uszkodzone. Produkt musi być również bezpośrednio podłączony do sieci i może być używany. Brak ściemniacza lub regulowanego zasilania.



Zawsze podłączaj urządzenie do zabezpieczonego obwodu (wyłącznik automatyczny lub bezpiecznik). Upewnij się, że urządzenie ma odpowiednie uziemienie elektryczne, aby uniknąć ryzyka porażenia prądem lub pożaru.

ELEMENTY STERUJĄCE I POŁĄCZENIA

1. Talerz gramofonu

Umieść swój rekord tutaj.

2. Adapter 45 obr.

Adapter ten umożliwia odtwarzanie płyt 45 RPM.

3. Ramię tonowe

Stałe ramię może być podnoszone i opuszczane ręcznie lub za pomocą za pomocą dźwigni podnoszenia/opuszczania.

4. Zacisk na ramię

Ten zacisk ramienia zabezpiecza ramię w stanie spoczynku lub gdy nie jest używane. Zacisk ramienia został zaprojektowany tak, aby pozostawał w pozycji górnej, gdy jest odblokowany.

5. Kartridż z igłą

Gdy gramofon nie jest używany, zaleca się umieszczenie zdejmowanej osłony ochronnej na iglicy.

6. Dźwignia ramienia tonowego

Służy do podnoszenia/opuszczania ramienia tonowego.

7. Przełącznik 33/45/78 obr.

Służy do regulacji obrotów talerza gramofonu.

8. Przełącznik autostopu ON/OFF

Ten przełącznik włącza/wyłącza funkcję automatycznego zatrzymania. Gdy funkcja automatycznego zatrzymania jest włączona, platforma zacznie się obracać, gdy tylko ramię tonowe zostanie umieszczone nad płytą i przestanie się obracać po osiągnięciu końca płyty. Niektóre płyty winylowe zatrzymują się przed końcem lub nie zatrzymują się po osiągnięciu końca. W takim przypadku należy ustawić opcję Auto-stop na OFF.

9. BT-In/Out

Naciśnij, aby przełączać między trybami BT i BT out.

BT umożliwia odtwarzanie muzyki z urządzenia strumieniowego.

Wyjście BT umożliwia kierowanie dźwiękiem z odtwarzania płyty gramofonowej do bezprzewodowych słuchawek lub głośników BT.

10. Pokrętko zasilania i regulacji głośności

Aby włączyć odtwarzacz płyt, obróć to pokrętko w prawo, aż usłyszysz kliknięcie. Po włączeniu pokrętko to służy do regulacji głośności głośników wewnętrznych i słuchawek. Aby wyłączyć gramofon, obróć to pokrętko w kierunku przeciwnym do ruchu wskazówek zegara, aż usłyszysz kliknięcie.

11. PC out (USB type B)

Użyj dołączonego kabla USB, aby podłączyć gramofon do komputera. Połączenie USB umożliwia przesyłanie dźwięku z gramofonu do komputera.

12. Wejście AUX

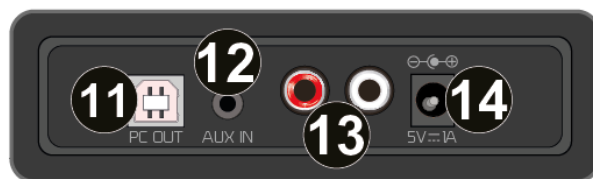
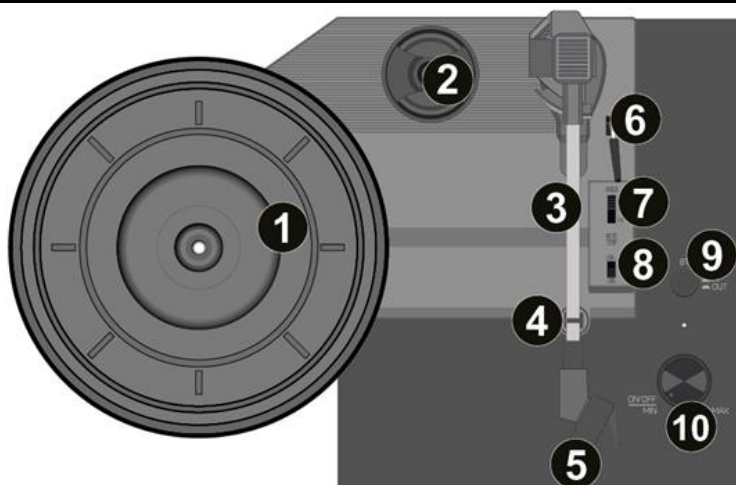
Pomocnicze gniazdo wejściowe 3,5 mm.

13. Wyjście liniowe

Wyjście liniowe RCA do podłączenia zewnętrznych głośników (brak w zestawie).

14. DC IN

Gniazdo zasilania 5 V do podłączenia dostarczonego zasilacza.



ROZPOCZĘCIE

- Wyjmij odtwarzacz płyt z opakowania.
- Podłącz zasilanie i włącz urządzenie.

Przeostoga: Należy używać wyłącznie kabla dostarczonego z urządzeniem. Podłączenie zasilacza o innych parametrach może spowodować trwałe uszkodzenie urządzenia i może być niebezpieczne.

GRAMOFON

- Umieść płytę na gramofonie. W razie potrzeby umieść adapter 45 obr./min na wrzecionie płyty.
- Wybierz żądaną prędkość odtwarzania za pomocą przełącznika prędkości (33-, 45- lub 78 obr./min).
- Obróć pokrętło zasilania i regulacji głośności zgodnie z ruchem wskazówek zegara, aby włączyć urządzenie.
- Upewnij się, że osłona ochronna została zdjęta z rysika.
- Odblokuj ramię tonowe, zwalniając zacisk ramienia tonowego.
- Podnieś ramię za pomocą dźwigni ramienia tonowego.
- Umieść igłę pionowo nad pierwszą ścieżką płyty, gramofon zacznie obracać się automatycznie.
- Powoli opuść igłę na płytę za pomocą dźwigni ramienia tonowego.
- Gdy płyta dobiegnie końca, gramofon zatrzyma się automatycznie, jeśli przełącznik automatycznego zatrzymania znajduje się w pozycji ON. Jeśli przełącznik znajduje się w pozycji wyłączonej, gramofon będzie obracał się do momentu ustawienia przełącznika w pozycji ON.
 - * Niektóre płyty winylowe zatrzymują się przed końcem lub nie zatrzymują się po osiągnięciu końca. W takim przypadku należy ustawić opcję Auto-stop na OFF.
- Po zakończeniu podnieś ramię tonowe i umieść je na podpórcie, zawsze używając dźwigni ramienia tonowego..
- Zablokuj ramię tonowe, zamykając zacisk ramienia tonowego.
- Ponownie załóż osłonę rysika.
- Wyłącz zasilanie.

AUX IN

Muzyki zapisanej na innym urządzeniu audio lub smartfonie można słuchać za pośrednictwem odtwarzacza płyt, podłączając go do gniazda aux-in 3,5 mm z tyłu urządzenia. Użyj kabla z wtykami 3,5 mm na obu końcach, jeden koniec podłączony do gniazda aux-in radia, drugi koniec podłączony do gniazda słuchawkowego urządzenia audio (lub wyjścia liniowego, jeśli jest dostępne). Odtwarzaj muzykę na podłączonym urządzeniu, dźwięk będzie emitowany przez gramofon.

PODŁĄCZANIE DO KOMPUTERA

Przed podłączeniem gramofonu do komputera należy odłączyć go od miksera lub systemu hi-fi.

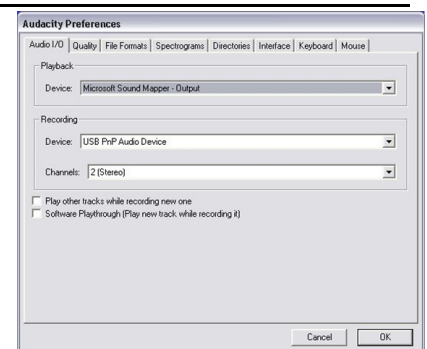
Dołączone oprogramowanie jest aplikacją innej firmy i dlatego Audizio nie obsługuje żadnych pytań ani problemów związanych z oprogramowaniem.

1. Włącz komputer.
2. Po uruchomieniu komputera podłącz gramofon. Komputer zainstaluje teraz sterowniki.
3. Po zainstalowaniu sterowników należy zainstalować oprogramowanie Audacity. Zeskanuj poniższy kod QR, aby przejść do strony pobierania.



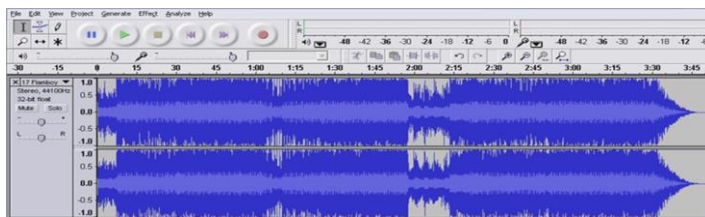
KORZYSTANIE Z AUDACITY

- Podłącz kabel USB z tyłu urządzenia, a drugi koniec do wolnego portu USB w komputerze.
- Uruchom oprogramowanie Audacity, klikając dwukrotnie ikonę Audacity.
- Przed rozpoczęciem nagrywania kliknij przycisk edycji w górnej części strony głównej; wybierz preferencje w dolnej części otwartego menu.
- W sekcji nagrywania okna otwórz menu Urządzenie za pomocą strzałki w dół po prawej stronie. Wybierz z menu opcję USP PnP Audio Device. Zaznacz również pole obok opcji "Software Playthrough (Odtwarzaj nową ścieżkę podczas nagrywania)".
- W dolnym polu można ustawić liczbę kanałów nagrywania, 1 to Mono, a 2 to Stereo, wybierz opcję Stereo.
- Po wybraniu opcji kliknij przycisk "OK".



NAGRYWANIE NA KOMPUTER ZA POMOCĄ AUDACITY

- Uruchom nagrywanie w sposób opisany powyżej i naciśnij przycisk nagrywania w górnej części okna Audacity, aby rozpocząć nagrywanie na komputer.
- Po nagraniu użyj przycisków sterowania transportem w górnej części ekranu, aby: Przejścia do początku, Odtwarzania, Nagrywania, Pauzy, Zatrzymania i Przejścia do końca.
- Użyj opcji Plik, Edytuj, Widok, Projekt, Generuj, aby zapisać, wyeksportować i edytować muzykę.
- Jeśli poziom nagrywania wymaga regulacji, kliknij "START", "USTAWIENIA" i wybierz "Panel sterowania". W Panelu sterowania wybierz "DŹWIĘKI i URZĄDZENIA AUDIO", kliknij zakładkę "GŁOŚNOŚĆ" i wybierz "ZAAWANSOWANE".
- W oknie woluminu głównego wybierz opcje w lewym górnym rogu, kliknij właściwości w menu rozwijanym.
- W oknie Właściwości wybierz "USB PnP Audio Device" z menu rozwijanego u góry. Kliknij "OK", aby potwierdzić wybór i pojawi się okno z kontrolką poziomu nagrywania. Przesuń ten element sterujący w górę, jeśli nagranie jest zbyt ciche i w dół, jeśli nagranie jest zbyt głośne.



UWAGA: niebieski kształt fali powinien znajdować się w oknie Audacity w taki sposób, aby jego szczyty zatrzymywały się na górze i na dole. Przed edycją muzyki należy podświetlić nagrany kształt fali.

- Aby podświetlić kształt fali, kliknij lewym przyciskiem myszy po lewej stronie kształtu fali (pod kontrolkami L + R), a kształt fali stanie się ciemniejszy.
- W tym momencie można edytować cały przebieg. Wymaganą sekcję można podświetlić, umieszczając mysz nad początkiem sekcji, przytrzymując lewy przycisk wciśnięty i przeciągając go w prawo nad wymaganym obszarem, a następnie zwalnając go po osiągnięciu końca żądanej sekcji. Ta zaciemniona sekcja będzie teraz jedynym dźwiękiem, który będzie edytowany.
- Ewentualnie kliknij menu EDIT w lewym górnym rogu i kliknij SELECT, a następnie wybierz jedną z następujących opcji: All (cały kształt fali), Start to Cursor lub Cursor to end.

UWAGA: po nagraniu do komputera może być konieczne odłączenie kabla USB od portu USB, aby umożliwić późniejsze odtwarzanie z komputera.

EKSPORTOWANIE PLIKÓW MUZYCZNYCH (.WAV)

- Po nagraniu i edycji muzyki należy zapisać pliki na komputerze. Aby to zrobić, kliknij plik i przejdź w dół do zakładki Eksportuj jako WAV.
- Po kliknięciu zostaniesz poproszony o podanie nazwy pliku z nagraniem muzyką, która zostanie zapisana we wskazanej lokalizacji. W tym momencie zanotuj folder, w którym zapisana jest muzyka lub zapisz ją w wybranym folderze.
- Może to być istniejący lub nowy folder.

EKSPORTOWANIE PLIKÓW MUZYCZNYCH (.MP3)

- Po nagraniu i edycji muzyki należy zapisać pliki na komputerze. Aby to zrobić, kliknij plik i przejdź w dół do zakładki Eksportuj jako MP3.
- Po kliknięciu zostaniesz poproszony o podanie nazwy pliku z nagraniem muzyką, która zostanie zapisana we wskazanej lokalizacji. W tym momencie zanotuj folder, w którym zapisana jest muzyka lub zapisz ją w wybranym folderze.
- Może to być istniejący lub nowy folder.

UWAGI

Zalecamy czyszczenie płyt ściereczką antystatyczną, aby czerpać z nich maksymalną przyjemność i zapewnić ich trwałość. Zwracamy również uwagę, że z tego samego powodu igła powinna być okresowo wymieniana (mniej więcej co 250 godzin).

Gratulujeme ke koupi tohoto produktu Audizio. Před použitím výrobku si pečlivě přečtěte tento návod, abyste mohli plně využívat všechny jeho funkce.

Před použitím přístroje si přečtěte tuto příručku. Postupujte podle pokynů, aby nedošlo ke zneplatnění záruky. Přijměte veškerá preventivní opatření, abyste zabránili požáru nebo úrazu elektrickým proudem. Opravy smí provádět pouze kvalifikovaný technik, aby nedošlo k úrazu elektrickým proudem. Návod si uschovejte pro budoucí použití.

- Před použitím přístroje se poraďte s prodávajícím. Při prvním zapnutí jednotky může dojít k zápachu. To je normální a po chvíli to zmizí.
- Přístroj obsahuje části pod napětím. Proto neotvírejte jeho kryt.
- Neumísťujte do přístroje kovové předměty a nelijte na ni tekutiny. Mohlo by dojít k úrazu elektrickým proudem a poruše.
- Neumísťujte jednotku do blízkosti zdrojů tepla, jako jsou radiátory apod.
- Neumísťujte jednotku na vibrující povrch. Nezakrývejte ventilační otvory.
- Jednotka není vhodná pro trvalé používání.
- S napájecím kabelem buďte opatrní a nepoškozujte jej. Vadný nebo poškozený napájecí kabel může způsobit úraz elektrickým proudem, nebo poruchu.
- Při odpojování zařízení od zásuvky vždy tahejte za zástrčku, nikdy ne za kabel.
- Nezapojujte a neodpojujte přístroj mokřima rukama.
- Pokud je poškozena zástrčka a / nebo napájecí kabel, musí být opraveny kvalifikovaným technikem.
- Pokud je jednotka poškozena do takové míry, že jsou vidět vnitřní části, NEZAPOJUJTE jednotku do zásuvky ani ji NEZAPÍNEJTE. Kontaktujte svého prodejce. NEPŘIPOJUJTE jednotku k reostatu nebo stmívači.
- Aby nedošlo k požáru, nebo úrazu elektrickým proudem, nevystavujte jednotku dešti a vlhkosti.
- Všechny opravy musí provádět pouze kvalifikovaný technik.
- Připojte přístroj k uzemněné síťové zásuvce (220 - 240 V, střídavý / 50 Hz) chráněné pojistkou 10 - 16 A.
- Během bouřky nebo pokud nebudete jednotku delší dobu používat, odpojte ji od elektrické sítě. Pokud zařízení nepoužíváte, odpojte jej od elektrické sítě.
- Pokud jednotku nebudete delší dobu používat, může dojít ke kondenzaci vlhkosti. Než přístroj zapnete, nechejte jej dosáhnout pokojovou teplotu. Nikdy nepoužívejte jednotku ve vlhkých místnostech nebo venku.
- Abyste předešli nehodám na veřejnosti, musíte postupovat podle příslušných pokynů a instrukcí.
- Zařízení opakovaně nezapínejte a nevypínejte. Tím se zkracuje jeho životnost.
- Uchovávejte jednotku mimo dosah dětí. Nenechávejte jednotku bez dozoru.
- K čištění spínačů nepoužívejte čisticí spreje. Zbytky těchto sprejů způsobují, že se na spínačích usazuje prach a mastnota. V případě poruchy vždy vyhledejte radu od odborníka.
- Na ovládací prvky netlačte silou.
- Tato jednotka má uvnitř reproduktor, který může způsobit magnetické pole. Udržujte proto toto zařízení ve vzdálenosti alespoň 60 cm od počítače nebo televize.
- Pokud má tato jednotka vestavěnou dobíjecí baterii, tak ji dobijte alespoň 1x za 3 měsíce. Jinak může dojít k poškození baterie.
- Pokud je baterie poškozená, vyměňte ji za baterii se stejnými specifikacemi. Poškozenou baterii zlikvidujte ekologicky.
- Pokud Vám přístroj upadnul, nechte ho před opětovným zapnutím zkontrolovat kvalifikovaným technikem.
- K čištění jednotky nepoužívejte chemikálie. Poškozují lak. Jednotku čistěte pouze suchým hadříkem.
- Uchovávejte mimo dosah elektronických zařízení, která mohou způsobovat rušení.
- K opravám používejte pouze originální náhradní díly, jinak může dojít k vážnému poškození nebo nebezpečnému záření.
- Před odpojením od sítě nebo od jiného zařízení přístroj vypněte. Před přemístováním přístroje odpojte všechny napájecí i jiné kabely.
- Zajistěte, aby nemohlo dojít k poškození síťového kabelu, když po něm lidé kráčí. Před každým použitím zkontrolujte přívodní kabel, zda není poškozený nebo vadný!
- Síťové napětí je 220 – 240 V, AC / 50Hz. Zkontrolujte, zda se napětí v zásuvce shoduje. Pokud cestujete, zkontrolujte, zda je v dané zemi pro tuto jednotku vhodné síťové napětí.
- Uschovejte originální obalový materiál, abyste mohli jednotku v případě potřeby přepravit v bezpečných podmínkách.



Tento znak upozorňuje uživatele na vysokému napětí, které je uvnitř přístroje a které je dostatečně velké, aby způsobilo nebezpečí úrazu elektrickým proudem.



Tento znak upozorňuje uživatele na důležité pokyny obsažené v této příručce, kterou by si měl před používáním přečíst a dodržovat.

Jednotka má certifikát CE. Na jednotce je zakázáno provádět jakékoli změny. Certifikát CE by tím pozbyl platnost a zboží by přišlo o záruku!

POZNÁMKA: Aby bylo zajištěno, že jednotka bude fungovat normálně, musí být používána v místnostech s teplotou mezi 5 °C a 35 °C.



Elektrické výrobky se nesmí ukládat do domácího odpadu. Přineste je, prosím, do recyklačního centra. Zeptejte se místních úřadů nebo prodejce na postup. Specifikace jsou typické. Skutečné hodnoty se mohou z jedné jednotky na druhou mírně změnit. Specifikace lze změnit bez předchozího upozornění.

Nepokoušejte se sami provádět žádné opravy. To by zneplatnilo vaši záruku. Na jednotce neprovádějte žádné změny. Tím by také zanikla vaše záruka. Záruka se nevztahuje na nehody nebo škody způsobené nevhodným použitím nebo nerespektováním varování obsažených v této příručce. Audizio nemůže nést odpovědnost za zranění osob způsobená nerespektováním bezpečnostních doporučení a varování. To platí také pro všechny škody v jakékoli formě.

POKYNY PO VYBALENÍ

POZOR! Ihned po obdržení produktu pečlivě vybalte krabici, zkontrolujte obsah, zda jsou všechny součásti přítomny a zda jsou v bezvadném stavu. Okamžitě informujte přepravce i prodejce a uschovejte obal ke kontrole, pokud se objeví nějaké známky poškození, nebo pokud obal samotný vykazuje známky nesprávné manipulace. Ponechte si veškerý původní balicí materiál. V případě, že produkt bude muset být vrácen do továrny, je důležité, aby byl vrácen a zabalen v původní krabici. Pokud bylo zařízení vystaveno drastickým výkyvům teploty (např. v rámci přepravy), nezapínejte jej okamžitě. Vznikající kondenzovaná voda může poškodit vaše zařízení. Nechejte zařízení vypnuté, dokud nedosáhne pokojové teploty.

NAPÁJENÍ

Štítek na zadní/spodní straně výrobku udává síťové napětí, ke kterému musí být výrobek připojen. Zkontrolujte, zda síťové napětí odpovídá tomuto napětí. Jiné než uvedené napětí může způsobit neopravitelné poškození přístroje. Přístroj musí být také připojen přímo k síťovému napětí a nesmí být použit žádný stmívač nebo nastavitelný zdroj napájení.



Přístroj vždy připojujte k chráněnému obvodu (jistič nebo pojistka). Ujistěte se, že má zařízení vhodné elektrické uzemnění, abyste předešli riziku úrazu elektrickým proudem nebo požáru.

OVLÁDACÍ PRVKY A PŘIPOJENÍ

1. Talíř gramofonu

Zde umístíte svůj záznam.

2. Adaptér pro 45 otáček za minutu

Tento adaptér umožňuje přehrávat desky s rychlostí 45 otáček za minutu.

3. Tónové rameno

Pevné raménko lze zvedat a spouštět ručně nebo pomocí pomoci páčky pro zvedání a spouštění.

4. Klip na rameno

Tato spona rameno zajišťuje raménko v klidovém stavu nebo v době, kdy se nepoužívá. Klip rameno byl navržen tak, aby zůstal v odemčené poloze nahoře.

5. Kazeta s jehlou

Pokud gramofon nepoužíváte, doporučujeme umístit odnímatelný ochranný kryt na stylus.

6. Páka tónovacího ramene

Slouží ke zvýšení/spuštění tónové clony.

7. Přepínač 33 / 45 / 78 RPM

Slouží k nastavení otáček talíře gramofonu.

8. Spínač automatického vypnutí/zapnutí

Tímto přepínačem se zapíná/vypíná funkce automatického zastavení. Je-li zapnuta funkce automatického zastavení, začne se plošina otáčet, jakmile je tónové rameno umístěno nad záznamem, a přestane se otáčet, jakmile dosáhne konce záznamu. Některé vinylové desky se zastaví před koncem nebo se nezastaví po dosažení konce. V takovém případě nastavte možnost Automatické zastavení na hodnotu OFF.

9. BT-In/Out

Stisknutím přepínáte mezi režimy BT a BT out.

BT umožňuje přehrávání hudby ze streamovacího zařízení.

BT out umožňuje nasměrovat zvuk z přehrávání gramofonové desky do bezdrátových BT sluchátek nebo reproduktorů.

10. Knoflík pro ovládání výkonu a hlasitosti

Chcete-li zapnout přehrávač, otáčejte tímto knoflíkem ve směru hodinových ručiček, dokud necvakne. Po zapnutí nastavte tímto knoflíkem hlasitost interních reproduktorů a sluchátek. Chcete-li přehrávač vypnout, otáčejte tímto knoflíkem proti směru hodinových ručiček, dokud necvakne.

11. PC out (USB type B)

Pomocí přiloženého kabelu USB připojte gramofon k počítači. Připojení USB bude přenášet zvuk z gramofonu do počítače.

12. Vstup AUX

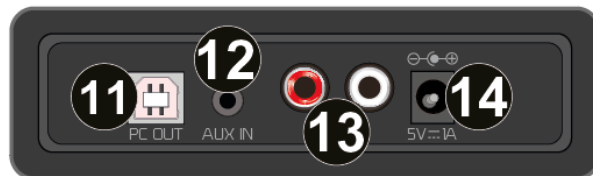
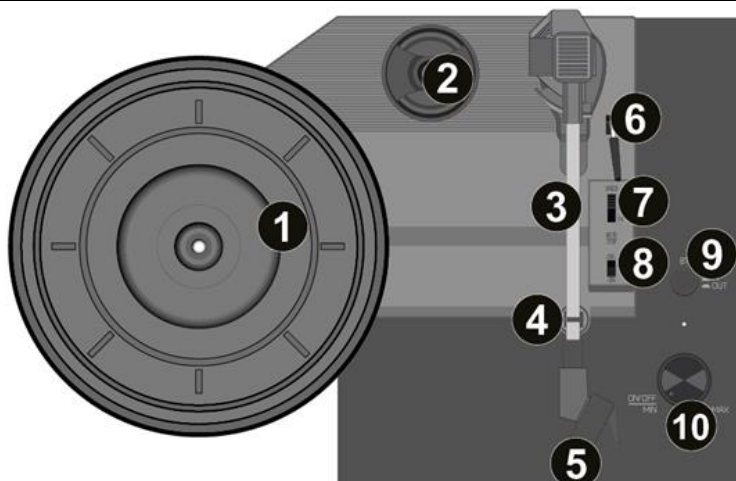
3,5mm pomocný vstupní konektor.

13. Line output

Linkový výstup RCA pro připojení externích reproduktorů (nejsou součástí dodávky).

14. VSTUP STEJNOSMĚRNÉHO NAPÁJENÍ

5V zásuvka pro připojení dodaného napájecího adaptéru.



ZAČÍNÁME

- Vyjměte přehrávač z krabice.
- Připojte napájecí zdroj a zapněte zařízení.
- **Upozornění:** Používejte pouze kabel dodaný s přístrojem. Připojení napájecího zdroje s jinou jmenovitou hodnotou může způsobit trvalé poškození přístroje a může být nebezpečné.

PŘEHRÁVAČ NAHRÁVEK

- Umístěte desku na gramofon. V případě potřeby nasadte na vřeteno desky adaptér na 45 otáček za minutu.
- Přepínačem rychlosti zvolte požadovanou rychlost přehrávání (33, 45 nebo 78 otáček za minutu).
- Otočením knoflíku pro ovládání napájení a hlasitosti ve směru hodinových ručiček přístroj zapnete, všimněte si, že se jedná také o ovládání hlasitosti.
- Ujistěte se, že je ze stylusu sejmutý ochranný kryt.
- Odemkněte tónové rameno uvolněním svorky tónového ramene.
- Zvedněte rameno pomocí páčky tónovacího ramene.
- Umístěte hrot vertikálně nad první stopu desky, gramofon se začne automaticky otáčet.
- Pomalu spouštějte stylus na desku pomocí páčky tónového raménka.
- Když deska skončí, gramofon se automaticky zastaví, pokud je spínač automatického zastavení v poloze ON. Pokud je přepínač v poloze vypnuto, bude se otáčet, dokud nebude přepínač nastaven do polohy ON.
* Některé vinylové desky se zastaví před koncem nebo se po dosažení konce nezastaví. V takovém případě nastavte možnost Auto-stop na OFF.
- Po dokončení zvedněte tónové rameno a položte jej na opěrku, vždy pomocí páčky tónového ramene.
- Uzamkněte tónové rameno zavřením spony tónového ramene.
- Znovu nasadte kryt stylusu.
- Vypněte napájení.

AUX IN

Prostřednictvím přehrávače můžete poslouchat hudbu uloženou v jiném zvukovém zařízení nebo smartphonu, a to připojením k 3,5mm konektoru aux-in na zadní straně. Použijte kabel s 3,5mm kolíky na obou koncích, jeden konec připojte ke konektoru aux-in na přehrávači, druhý konec připojte ke konektoru pro sluchátka na zvukovém zařízení (nebo k linkovému výstupu, je-li k dispozici). Přehrávejte hudbu na připojeném zařízení, zvuk bude vydávat přehrávač.

PŘIPOJENÍ K POČÍTAČI

Před připojením gramofonu k počítači jej odpojte od mixážního pultu nebo hi-fi systému.

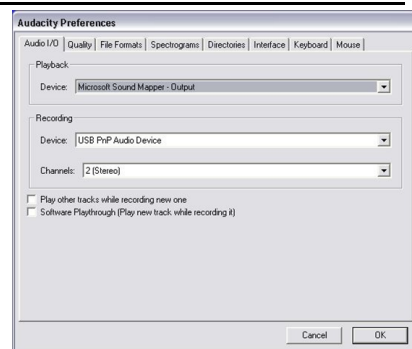
Příložený software je aplikace třetí strany, a proto Audizio neřeší žádné dotazy nebo problémy související se softwarem.

1. Zapnutí počítače.
2. Po spuštění počítače připojte gramofon. Počítač nyní nainstaluje ovladače.
3. Po instalaci ovladačů je třeba nainstalovat software Audacity. Naskenujte níže uvedený QR kód a přejděte na stránku pro stahování.



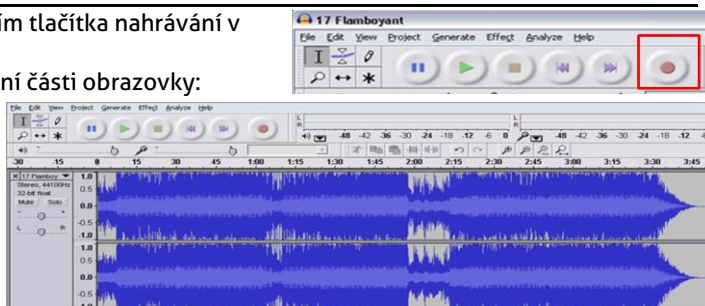
POUŽITÍ AUDACITY

- Zapojte kabel USB do zadní části zařízení a druhý konec do volného portu USB v počítači.
- Software Audacity spustíte poklepáním na ikonu Audacity.
- Před nahráváním klikněte na tlačítko Upravit v horní části hlavní stránky; vyberte předvolby na stránce. v dolní části nabídky, která se otevře.
- V části okna pro nahrávání otevřete nabídku Zařízení pomocí šipky dolů vpravo. V nabídce vyberte možnost USP PnP Audio Device. Zaškrtněte také políčko vedle položky "Softwarové přehrávání (přehrávání nové stopy během nahrávání)".
- Ve spodním poli můžete nastavit počet nahrávacích kanálů, 1 je Mono a 2 je Stereo, vyberte možnost Stereo.
- Po výběru možností klikněte na tlačítko "OK".



NAHRÁVÁNÍ DO POČÍTAČE POMOCÍ AUDACITY

- Spusťte přehrávání záznamu, jak je popsáno výše, a stisknutím tlačítka nahrávání v horní části okna Audacity spusťte nahrávání do počítače.
- Po nahrání můžete pomocí ovládacích prvků Transport v horní části obrazovky: Přejít na začátek, Přehrát, Nahrát, Pozastavit, Zastavit a Přejít na konec.
- K ukládání, exportu a úpravám hudby použijte položky Soubor, Upravit, Zobrazit, Projekt, Generovat.
- Pokud je třeba upravit úroveň záznamu, klikněte na tlačítko "START", "NASTAVENÍ" a vyberte "Ovládací panel". V části Ovládací panely vyberte položku "ZVUKY a AUDIO ZAŘÍZENÍ", klikněte na záložku "VOLUME" a vyberte možnost "ADVANCED".



- V okně hlavního svazku vyberte možnosti v levém horním rohu, klikněte na vlastnosti v rozevírací nabídce.
- V okně Vlastnosti vyberte v horní rozevírací nabídce položku "USB PnP Audio Device". Výběr potvrďte kliknutím na tlačítko "OK" a nyní se zobrazí okno s ovladačem úrovně nahrávání. Tento ovladač posuňte nahoru, pokud je nahrávání příliš tiché, a dolů, pokud je nahrávání příliš hlasité.

POZNÁMKA: modrý tvar vlny by se měl v okně Audacity nacházet tak, aby se jeho vrcholy zastavily u horního a dolního okraje.

Před úpravami hudby je třeba zaznamenaný průběh zvýraznit.

- Chcete-li zvýraznit tvar vlny, klikněte levým tlačítkem myši na levou stranu tvaru vlny (pod ovládacími prvky L+R) a tvar vlny ztmavne.
- V tomto okamžiku lze upravovat celý průběh. Požadovaný úsek lze zvýraznit umístěním myši na začátek úseku, podržením levého tlačítka a přetažením myši doprava přes požadovanou oblast a jejím uvolněním po dosažení konce požadovaného úseku. Tento ztmavený úsek bude nyní jediným zvukem, který bude upravován.
- Případně klikněte na nabídku EDIT vlevo nahoře a klikněte na SELECT, poté vyberte z následujících možností: All (whole wave form), Start to Cursor nebo Cursor to end.

POZNÁMKA: po nahrávání do počítače může být nutné vyjmout kabel USB z portu USB, aby bylo později možné přehrávání z počítače.

EXPORTING YOUR MUSIC FILES (.WAV)

- Po nahrání a úpravě hudby je třeba soubory uložit do počítače. To provedete tak, že kliknete na soubor a přejdete dolů na kartu Exportovat jako WAV.
- Klepněte na ni a ihned budete požádáni o název souboru nahrané hudby, který bude uložen do uvedeného umístění. V tomto okamžiku si buď poznamenejte složku, do které je hudba uložena, nebo ji uložte do složky podle vlastního výběru.
- Může to být buď stávající složka, nebo složka nová.

EXPORTOVÁNÍ HUDEBNÍCH SOUBORŮ (.MP3)

- Po nahrání a úpravě hudby je třeba soubory uložit do počítače. To provedete tak, že kliknete na soubor a přejdete dolů na kartu Exportovat jako WAV.
- Klepněte na ni a ihned budete požádáni o název souboru nahrané hudby, který bude uložen do uvedeného umístění. V tomto okamžiku si buď poznamenejte složku, do které je hudba uložena, nebo ji uložte do složky podle vlastního výběru.
- Může to být buď stávající složka, nebo složka nová.

POZNÁMKY

Doporučujeme desky čistit antistatickým hadříkem, abyste z nich měli maximální požitek a aby vám vydržely co nejdéle. Rádi bychom také upozornili, že ze stejného důvodu by se měl pravidelně vyměňovat stylus (přibližně každých 250 hodin).

**TECHNICAL SPECIFICATION / TECHNISCHE SPECIFICATIE / TECHNISCHE DATEN /
SPECIFICACIONES TÉCNICAS / SPÉCIFICATIONS TECHNIQUES / SPECYFIKACJA
TECHNICZNA / TECHNICKÁ SPECIFIKACE**

Playback options	: BT 5.0 streaming, Vinyl, Line input
Input connections	: 3.5mm Jack
Output connections	: RCA, USB
Speed settings (RPM)	: 33, 45, 78
Power supply	: 100-240VAC 50/60Hz (5V Adapter)
Dimensions (L x W x H)	: 280 x 354 x 128mm
Weight	: 2,65kg

The specifications are typical. The actual values can slightly change from one unit to the other. Specifications can be changed without prior notice.

The products referred to in this manual conform to the European Community Directives to which they are subject:

European Union

Tronios B.V.,
Bedrijvenpark Twente Noord 18,
7602KR Almelo, The Netherlands

2014/35/EU
2014/30/EU
2011/65/EC
2014/53/EU



United Kingdom

Tronios Ltd.,
130 Harley Street,
London W1G 7JU, United Kingdom

S.I. 2016:1101
S.I. 2016:1091
S.I. 2012:3032
S.I. 2017:1206



Specifications and design are subject to change without prior notice.

www.audizio.com

Copyright © 2024 by Tronios The Netherlands